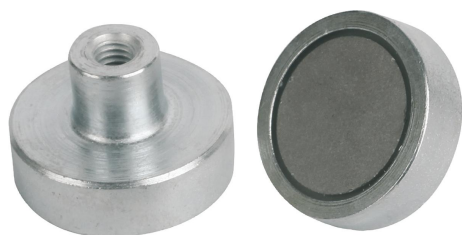


Magnets shallow pot, SmCo, Form B

Item description/product images



Description

Material:

Housing, steel.
Magnetic core, SmCo.

Version:

Housing, electro zinc-plated.

Note:

Shallow pot magnets, shielded system. Magnets with an SmCo core have three to five times the attracting force of AlNiCo or hard ferrite magnets.

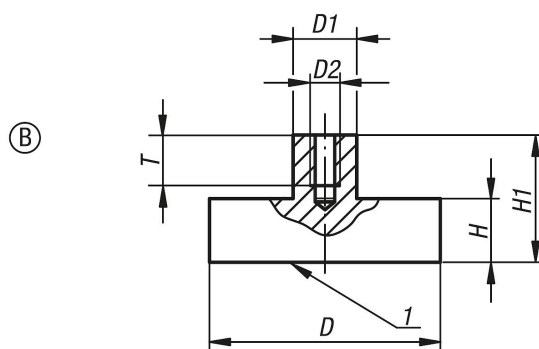
Temperature range:

max. 200°C.

Drawing reference:

1) magnetic face

Drawings



Overview of items

Order No.	Form	D	D1	D2	H	H1	T	Magnetic force N
K0550.11	B	6 ±0,15	6	M3	4,5	11,5	6	5
K0550.12	B	8 ±0,15	6	M3	4,5	11,5	6	11
K0550.13	B	10 ±0,15	6	M3	4,5	11,5	6	20
K0550.14	B	13 ±0,15	6	M3	4,5	11,5	6	40
K0550.15	B	16 ±0,15	6	M4	4,5	11,5	6	60
K0550.16	B	20 ±0,15	8	M4	6	13	7,5	90
K0550.17	B	25 ±0,15	8	M4	7	14	7,5	150
K0550.18	B	32 ±0,20	10	M5	7	15,5	8,5	220