

Magnets deep pot

Item description/product images



Description

Material:

Housing, steel.
Magnetic core AlNiCo.

Version:

Housing painted red.

Note:

Hard magnet in aluminium housing and steel jacket. Shielded system. Pot magnets are used for retaining, lifting and mounting in fixtures.
Due to the painted surface, the diameter D can be up to +0.8 mm.

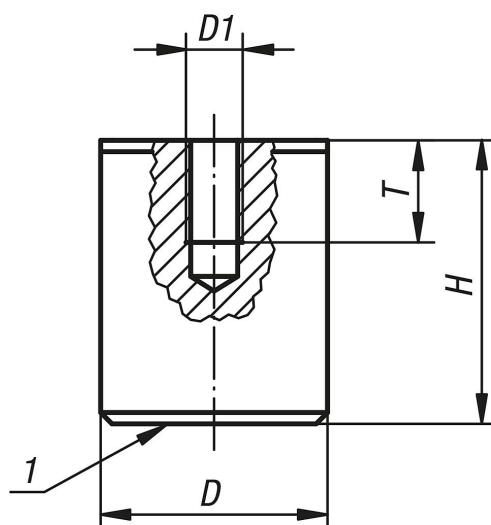
Temperature range:

max. 450°C.

Drawing reference:

1) magnetic face

Drawings



Overview of items

Magnets deep pot

Order No.	D	D1	H	T	Magnetic force N
K0557.01	17	M6	16	4	18
K0557.02	21	M6	19	5	28
K0557.03	27	M6	25	6	65
K0557.04	35	M6	30	9	115
K0557.05	65	M12	43	13	400

