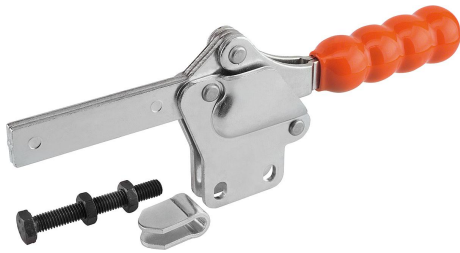


Toggle clamps horizontal with straight foot and full holding arm

Item description/product images



Description

Material:
Steel.

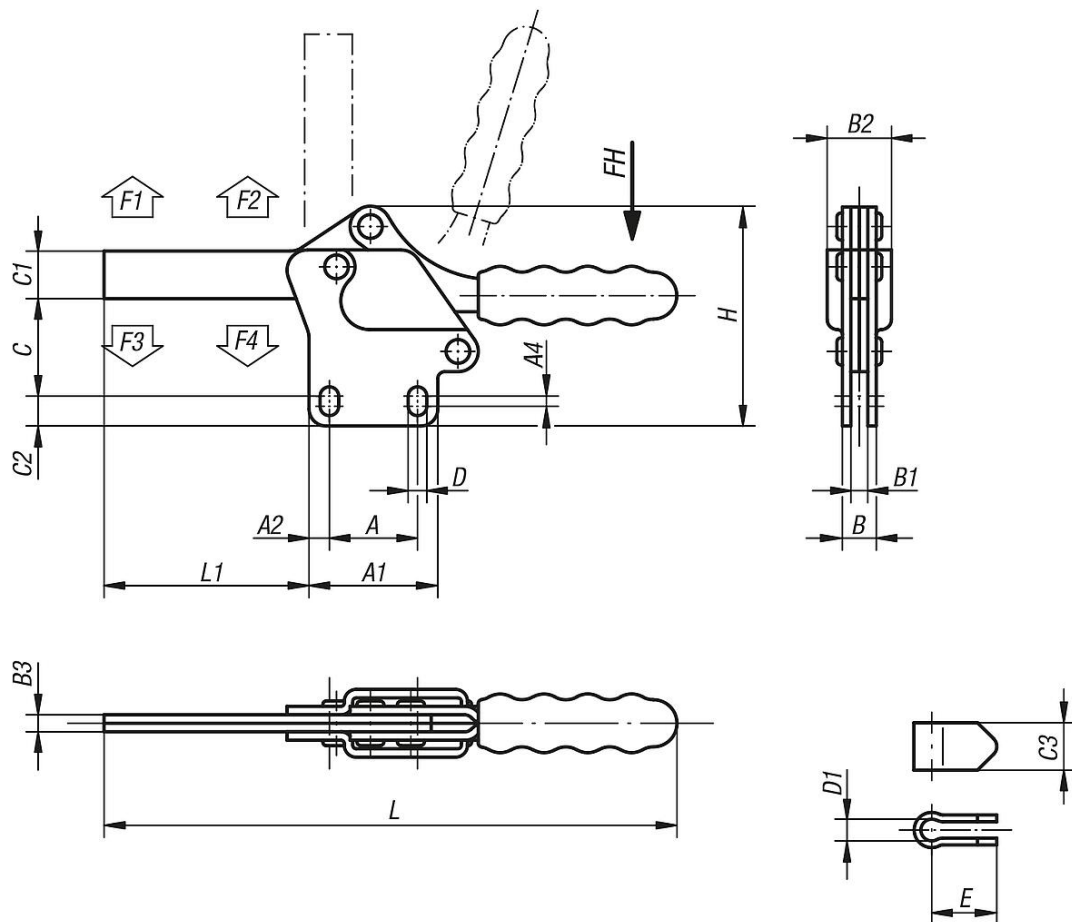
Version:
Trivalent passivated.
Plastic grip oil-resistant.

Note:
spindle bracket weldable.

Accessory:

K0100
K0101
K0102
K0103
K0106

Drawings



Overview of items

Toggle clamps horizontal with straight foot and full holding arm

Toggle clamps horizontal with straight foot and full holding arm

Overview of items

Order No.	Opening angle of holding arm	Opening angle of handle	Hand force FH N	Retaining force F1 N	Retaining force F2 N	Clamping force F3 N	Clamping force F4 N	Matching plastic grip
K0073.0250	95°	80°	200	1500	3500	800	1950	K0100.28
K0073.0350	90°	75°	250	2500	5500	1150	3100	K0100.30

Order No.	A	A1	A2	A4	B	B1	B2	B3	C	C1	C2	C3	D	D1	E	H	L	L1	M=clamping spindle
K0073.0250	26	42	8	2,6	12	6	23	6	39	17,5	10	17,5	6,6	8,3	24	82	226	82	M8x60
K0073.0350	41,2	59	9	2	16	8	30	8	54	24	10	22	8,7	10,3	30	109,5	274	110	M10x80