

## Toggle clamps mini horizontal with flat right foot and adjustable clamping spindle

Item description/product images



### Description

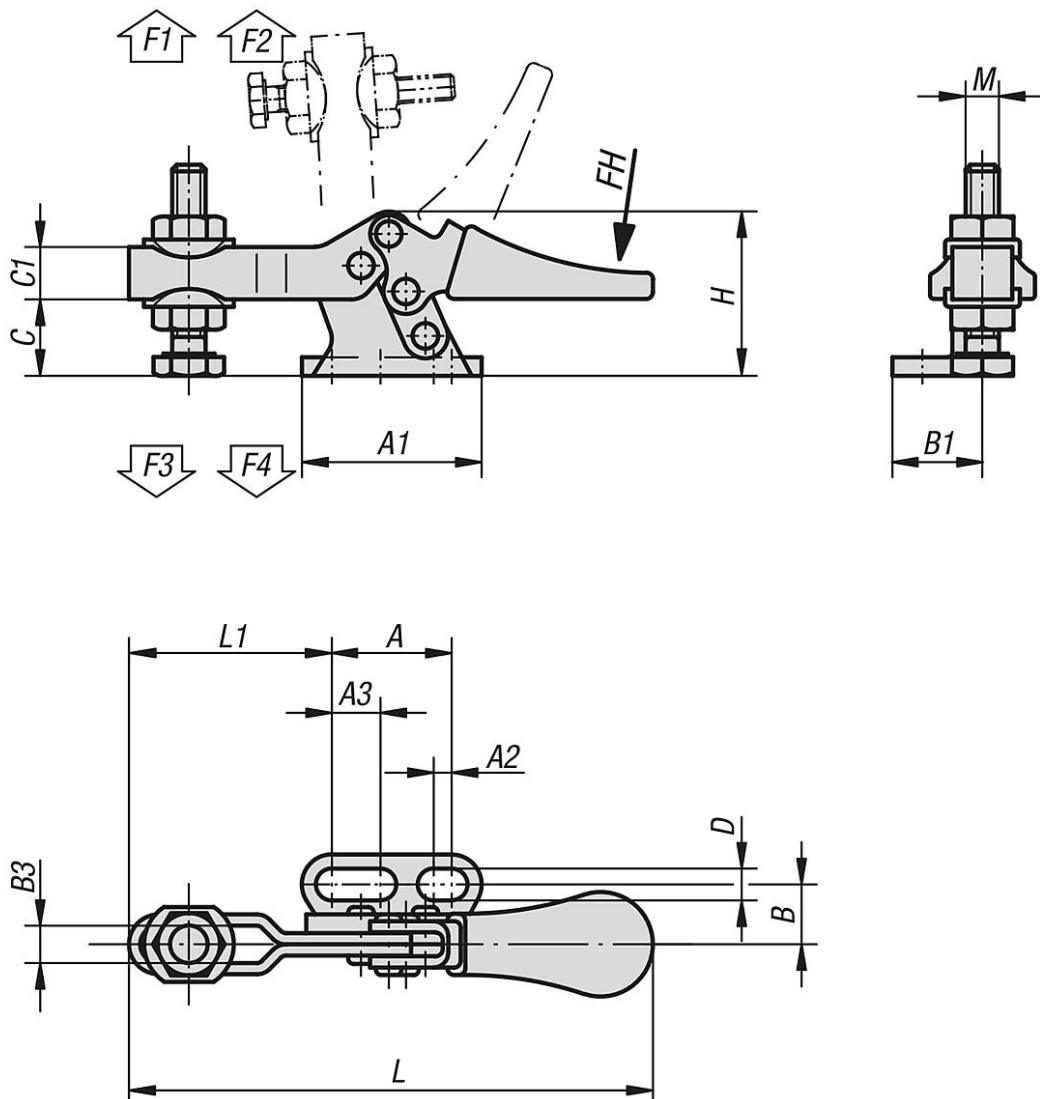
**Material:**  
Steel.

**Version:**  
Trivalent passivated.  
Clamping spindle and nuts phosphated.  
Plastic grip oil-resistant.

### Accessory:

K0101  
K0102  
K0103  
K0106  
K0107

### Drawings



# Toggle clamps mini horizontal with flat right foot and adjustable clamping spindle

## Overview of items

### Toggle clamps mini horizontal with flat right foot and adjustable clamping spindle

Order No.	Opening angle of holding arm	Opening angle of handle	Hand force FH N	Retaining force F1 N	Retaining force F2 N	Clamping force F3 N	Clamping force F4 N
K0267.0050	85°	65°	80	250	550	170	370

Order No.	A1	A	A2	A3	B	B1	B3	C	C1	D	H	L	L1	M
K0267.0050	24	16	2,4	6,5	8	12	5,2	9,5	7	4,2	22	70	27	M5x20