

## Toggle clamps vertical with angled foot and full holding arm

Item description/product images



### Description

**Material:**

Steel.

**Version:**

Trivalent passivated.  
Plastic grip oil-resistant.

**Note:**

The opening angle between the holding arm and the handle can be reduced or increased by repositioning or removing the stop pin.  
Spindle bracket is weldable.

**Accessory:**

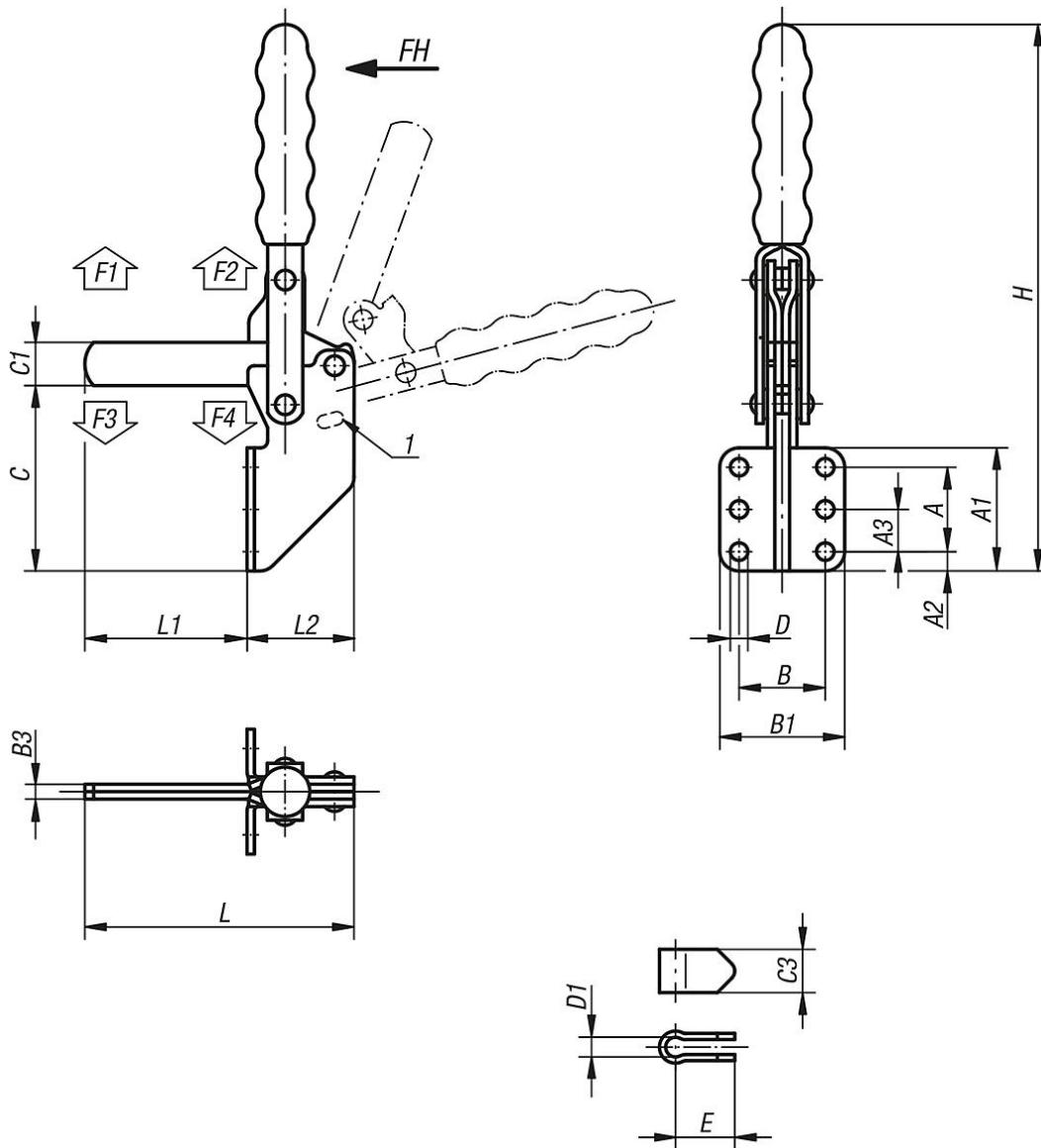
K0100  
K0101  
K0102  
K0103  
K0106

**Drawing reference:**

1) Position 1

# Toggle clamps vertical with angled foot and full holding arm

## Drawings



## Overview of items

### Toggle clamps vertical with angled foot and full holding arm

Order No.	Opening angle holding arm position 1	Opening angle holding arm stop pin removed	Opening angle handle position 1	Opening angle handle stop pin removed	Matching plastic grip
K0064.0300	105°	160°	65°	90°	K0100.28

Order No.	A	A1	A2	A3	B	B1	B3	C	C1	C3	D	D1	E	H	L	L1	L2	M=clamping spindle	Hand force FH N	Retaining force F1 N	Retaining force F2 N	Clamping force F3 N	Clamping force F4 N
K0064.0300	35	51	8	16	35	51	6	82	19	17,5	6,8	8,3	24	235	143	92	51	M8x60	130	2000	3700	900	1850

