

## Telescopic slides over-extension, loading up to 60 kg

### Item description/product images



### Description

**Material:**

Slides and ball cages steel.

Balls C-steel.

**Version:**

Slides hot-dip galvanised.

Ball cages electro zinc-plated.

Balls hardened.

**Note:**

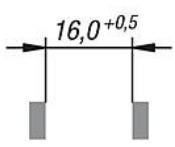
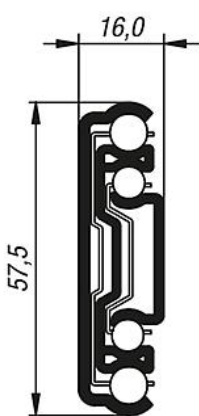
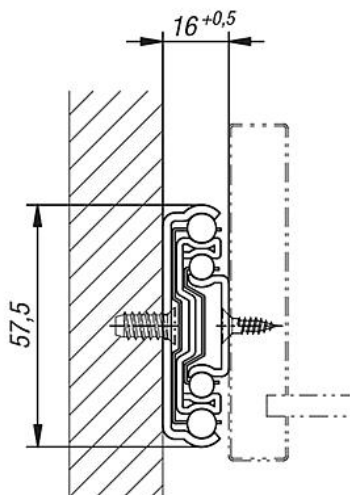
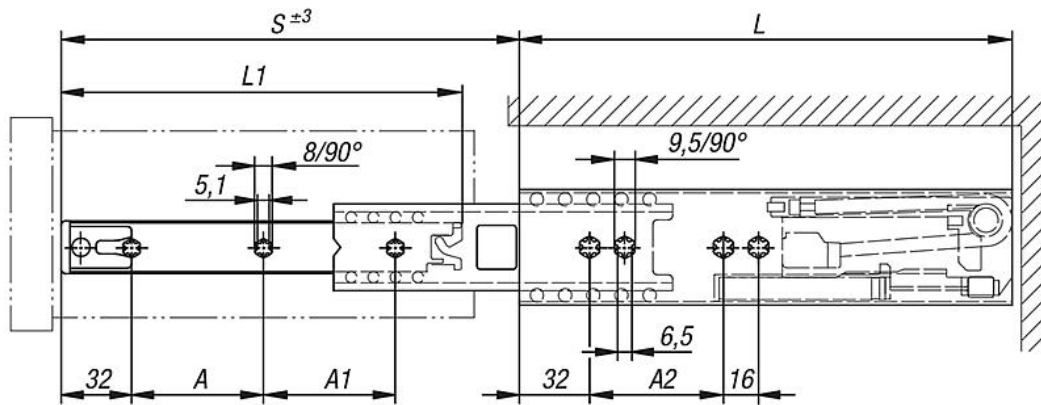
For telescopic slides with over-extension, the travel is greater than the overall length, which guarantees more comfort and accessibility. The slides have Soft-Control to dampen closing and close automatically. The dynamic load capacity of the telescopic slides indicates the maximum load rating of a vertically mounted slide pair when the entire extension length is used. The specified load-bearing capacities refer to the maximum value at 100,000 cycles.

**Note:**

All telescopic rails are tested to DIN EN 15338.

Telescopic slides over-extension, loading up to 60 kg

Drawings



Overview of items

Telescopic slides, over-extension, load capacity up to 60 kg

## Telescopic slides over-extension, loading up to 60 kg

### Overview of items

Order No.	A	A1	A2	Travel S	L	L1	Drawer depth	Loading per pair kg
K0541.10450	160	160	256	484	450	421	450	50
K0541.10500	160	192	320	534	500	471	500	55

### Information about this article

Note: Here are products that will soon be discontinued in our range and are available as inexpensive special offers.

Supplied in pairs