

Latches with spring clip

Item description/product images



Description

Material:

Steel or stainless steel 1.4301.

Version:

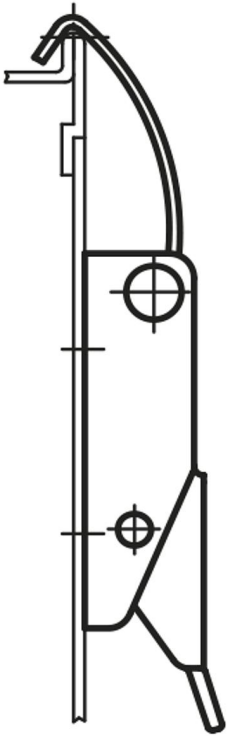
Steel trivalent blue passivated.

Stainless steel bright.

Drawing reference:

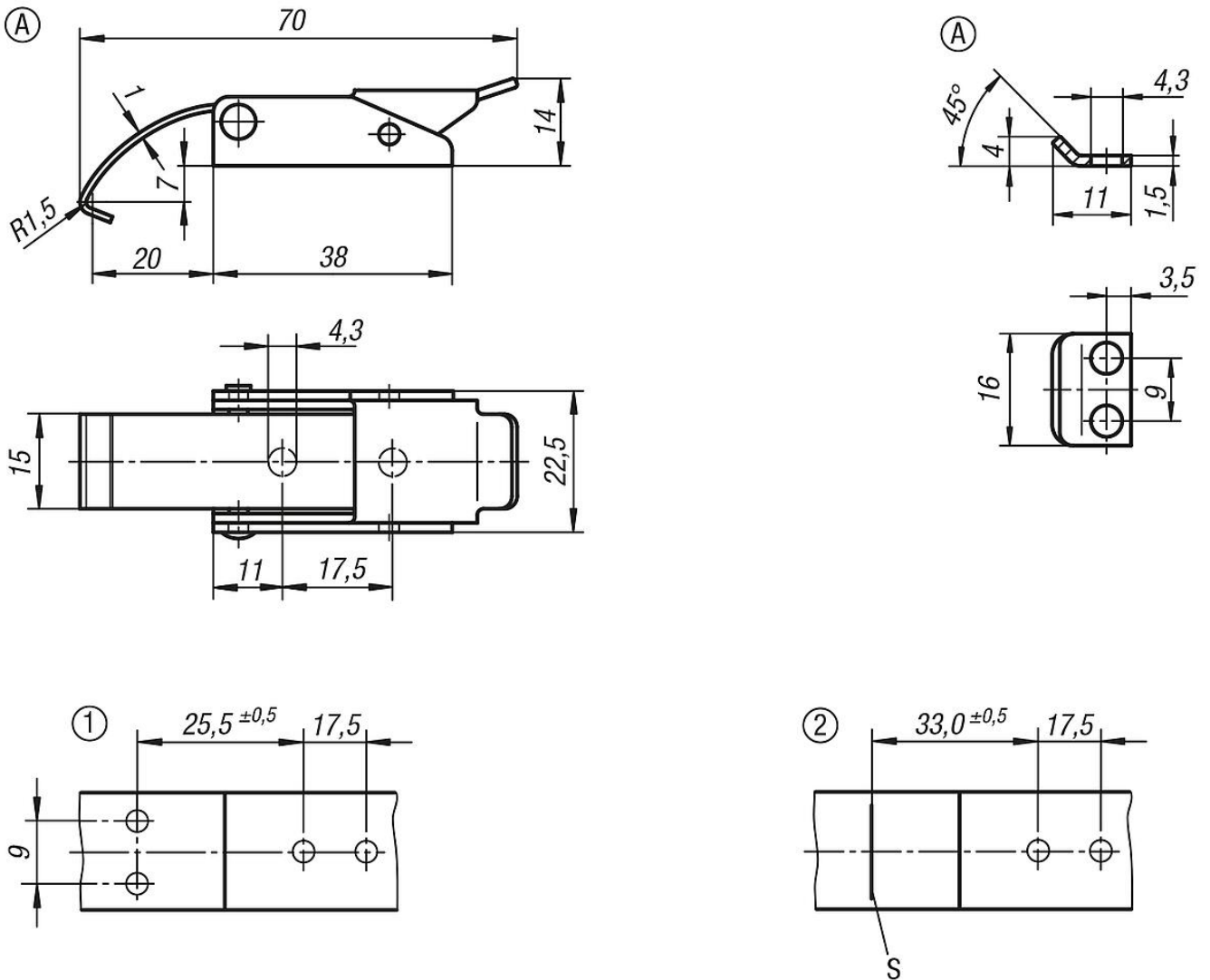
- 1) Hole arrangement for mounting with catch plate
- 2) Hole arrangement for mounting without catch plate

S = contact edge



Latches with spring clip

Drawings



Overview of items

Latches with spring clip

Order No. steel	Order No. stainless steel	Form	Retaining force F1 N
K0043.1430701	K0043.1430702	A	500

Catch plates

Order No. steel	Order No. stainless steel	Form
K0043.9143111	K0043.9143112	A