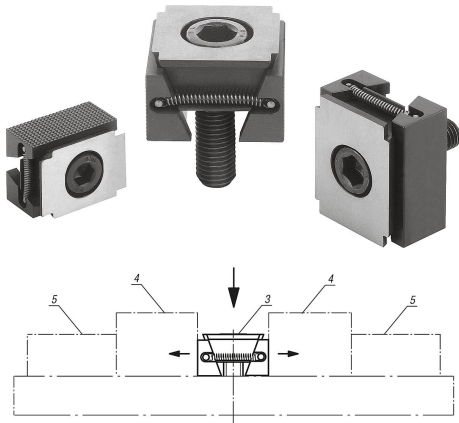


## Wedge clamps jaw face smooth or serrated

### Item description/product images



### Description

#### Material:

Wedge and jaw segments carbon steel.

#### Version:

Wedge and jaw segments hardened, black.

#### Note:

The functioning principle make the wedge clamps ideal for series clamping. The wedge form can exert high clamping forces.

These wedge clamps can be mounted in grid holes or T-slots. Tightening the socket screw moves the wedge down and the jaws out pressing the workpieces against the fixtures fixed stops.

The wedge has a slightly elongated hole allowing for movement to compensate for tolerances.

#### Spread width:

M8 =  $\pm 0.5$  mm

M10 =  $\pm 1.0$  mm

M12 =  $\pm 1.0$  mm

M16 =  $\pm 1.5$  mm

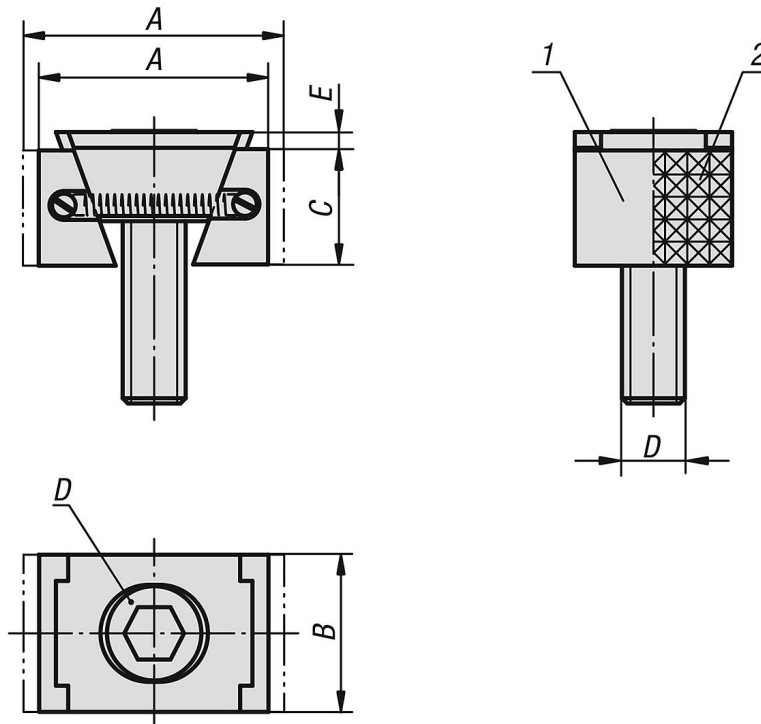
#### Drawing reference:

D) DIN 6912 cap screw

- 1) Jaw face smooth
- 2) Jaw face serrated
- 3) Wedge clamps
- 4) Workpiece
- 5) Fixed stop

## Wedge clamps jaw face smooth or serrated

### Drawings



### Overview of items

#### Wedge clamps, narrow version

Order No.	Version 1	Version 2	A min.	A max.	B	C	D	E	Clamping force max. kN	Tightening torque max. Nm
K0039.1108	smooth	double sided	30,5	33,5	24	15	M8X25	2	15	25
K0039.1110	smooth	double sided	32	37	28	19	M10X25	3,5	20	49
K0039.1112	smooth	double sided	44	49,5	30	22	M12X40	3,5	30	85
K0039.1116	smooth	double sided	55	62	40	29	M16X60	4	50	210
K0039.2108	serrated	double sided	30,5	33,5	24	15	M8X25	2	15	25
K0039.2110	serrated	double sided	32	37	28	19	M10X25	3,5	20	49
K0039.2112	serrated	double sided	44	49,5	30	22	M12X40	3,5	30	85
K0039.2116	serrated	double sided	55	62	40	29	M16X60	4	50	210
K0039.1208	smooth	double sided	30,5	33,5	30	15	M8X25	2	15	25
K0039.1210	smooth	double sided	32	37	38	19	M10X25	3,5	20	49
K0039.1212	smooth	double sided	44	49,5	48	22	M12X40	3,5	30	85
K0039.1216	smooth	double sided	55	62	48	29	M16X60	4	50	210
K0039.2208	serrated	double sided	30,5	33,5	30	15	M8X25	2	15	25
K0039.2210	serrated	double sided	32	37	38	19	M10X25	3,5	20	49
K0039.2212	serrated	double sided	44	49,5	48	22	M12X40	3,5	30	85
K0039.2216	serrated	double sided	55	62	48	29	M16X60	4	50	210