

Bushes tapered

Item description/product images



Description

Material:

Steel or 1.4034 stainless steel.

Version:

Steel version:

black oxidised, hardened and ground.

Stainless steel version:

bright, hardened and ground.

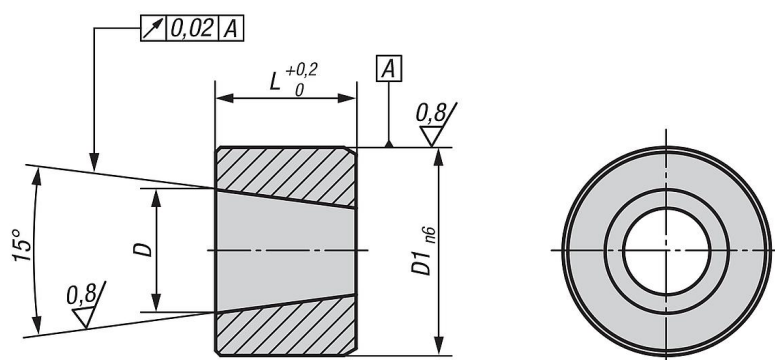
Note:

Matching bushes for premium indexing plungers with tapered pin K0736.

Assembly:

To increase the coaxial alignment accuracy, the holes for the bush and the premium indexing plunger can be machined simultaneously.

Drawings



Overview of items

Tapered bushes

Order No.	Main material	D	D1	L
K0736.9105	steel	5	8	6
K0736.9106	steel	6	10	7
K0736.9108	steel	8	13,5	9,5
K0736.9110	steel	10	17	11,5
K0736.91005	stainless steel	5	8	6
K0736.91006	stainless steel	6	10	7
K0736.91008	stainless steel	8	13,5	9,5
K0736.91010	stainless steel	10	17	11,5