

Clamp straps tapped heel

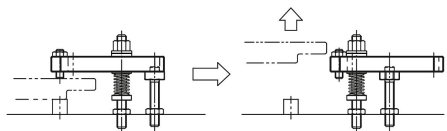
Item description/product images



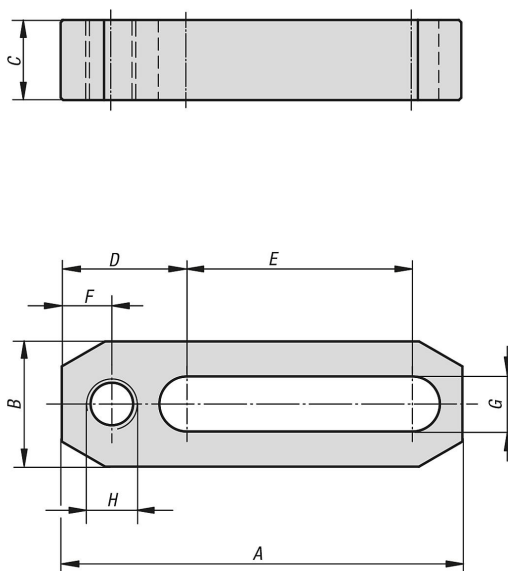
Description

Material:
Carbon steel 1.0503.

Version:
Tempered and black oxidised.



Drawings



Overview of items

Clamp straps, tapped heel

Order No.	A	B	C	D	E	F	G	H	Clamping force N	Tightening torque max. Nm
K0838.08063	63	19	12	19	36	7	9	M8	3200-8000	17
K0838.08080	80	19	12	19	53	7	9	M8	3500-8600	17
K0838.10080	80	25	16	25	45	10	11	M10	6800-16900	45
K0838.10100	100	25	16	25	65	10	11	M10	7300-18300	45
K0838.10125	125	25	16	25	90	10	11	M10	7700-19300	45
K0838.12100	100	32	19	28	60	10	13	M12	10200-25600	80
K0838.12125	125	32	19	28	85	10	13	M12	11000-27500	80
K0838.12160	160	32	19	28	120	10	13	M12	11600-29000	80
K0838.16125	125	38	25	36	73	12	17	M16	12100-30300	129
K0838.16160	160	38	25	36	108	12	17	M16	13200-33000	129
K0838.16200	200	38	25	36	148	12	17	M16	13900-34700	129
K0838.20160	160	50	25	45	90	15	21	M20	15000-36000	183
K0838.20200	200	50	32	45	130	15	21	M20	16000-37000	183
K0838.20250	250	50	32	45	180	15	21	M20	17000-38000	183

