

Swivel castors

Item description/product images



Description

Material:

Housing thick steel plate.

Wheels welded steel body and Extrathane® tread.

Version:

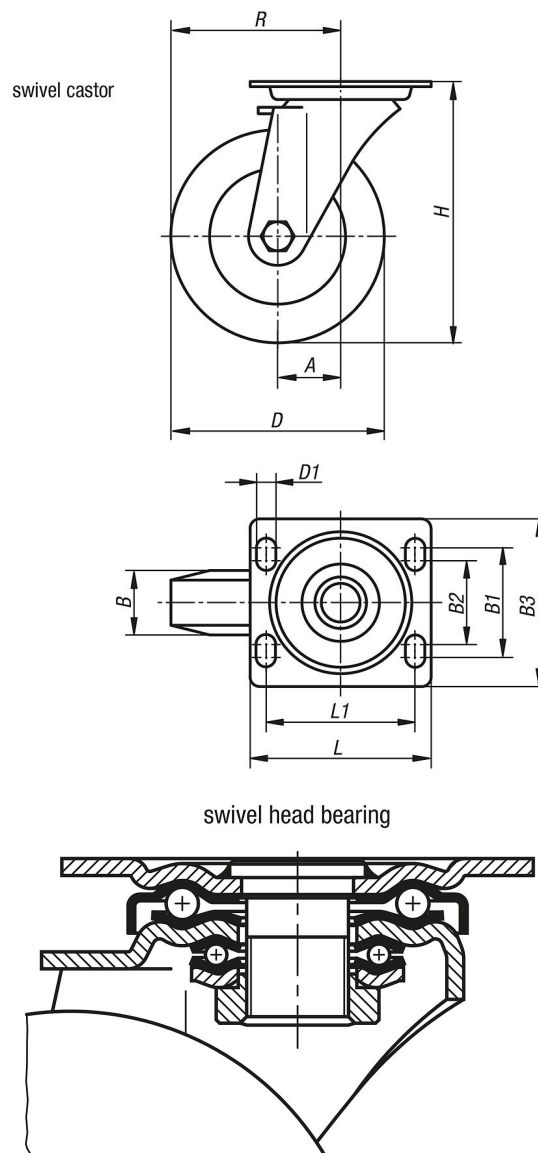
Housing press formed.

Swivel castor housing with strong fork and base plate, very robust centre pin bolted and secured. The swivel head is additionally reinforced with specially formed and hardened bearing shells.

Note:

These castors are particularly shock and impact proof. The treads resist abrasion and are elastic and low-noise. Wheel axle bolted.

Drawings



Overview of items

Order No.	Item	Version 1	Wheel bearing	A	B	B1	B2	B3	D	D1	H	L	L1	R	Permissible load kg
K1768.12550	Swivel castor	without locking system	ball bearing	55	50	80	75	110	125	11	170	140	105	117,5	500
K1768.16050	Swivel castor	without locking system	ball bearing	65	50	80	75	110	160	11	202	140	105	145	700
K1768.20050	Swivel castor	without locking system	ball bearing	70	50	80	75	110	200	11	245	140	105	170	900