

## Clamp straps tapped both ends

### Item description/product images

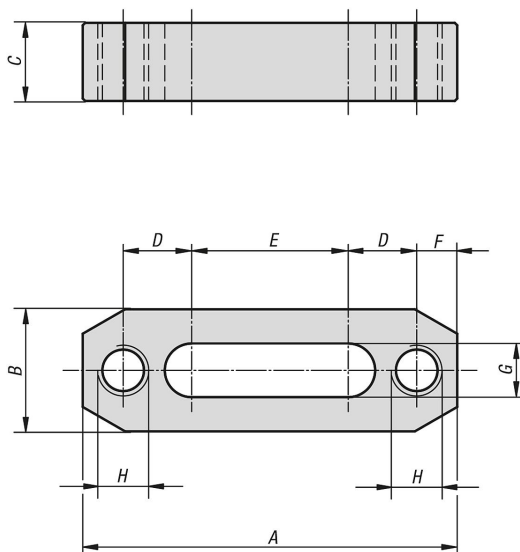


### Description

**Material:**  
Carbon steel 1.0503.

**Version:**  
Tempered and black oxidised.

### Drawings



### Overview of items

#### Clamp straps, tapped both ends

Order No.	A	B	C	D	E	F	G	H	Clamping force N	Tightening torque max. Nm
K0836.08063	63	25	12	12	25	7	9	M8	6900	22
K0836.08080	80	25	12	17	32	7	9	M8	6900	22
K0836.10080	80	25	16	14	32	10	11	M10	11300	45
K0836.10100	100	25	16	20	40	10	11	M10	11300	45
K0836.10125	125	25	16	30	45	10	11	M10	11300	45
K0836.12100	100	32	19	20	40	10	13	M12	16700	80
K0836.12125	125	32	19	30	45	10	13	M12	16700	80
K0836.12160	160	32	22	45	50	10	13	M12	16700	80
K0836.16125	125	38	19	30,5	40	12	17	M16	18000	115
K0836.16160	160	38	22	43	50	12	17	M16	18000	115
K0836.16200	200	38	25	58	60	12	17	M16	20200	129
K0836.20125	125	38	22	27,5	40	15	21	M20	19700	157
K0836.20160	160	38	22	40	50	15	21	M20	19700	157
K0836.20200	200	50	25	55	60	15	21	M20	22900	183

## **Clamp straps tapped both ends**



Overview of items

---