

# Locating bushes for ball lifting pins stainless steel, flat

## Item description/product images



## Description

### Material:

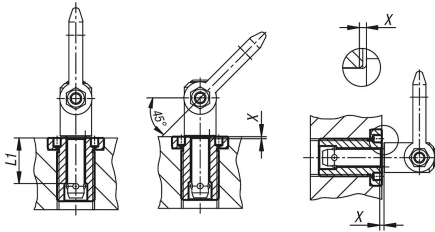
Stainless steel 1.4542.

### Version:

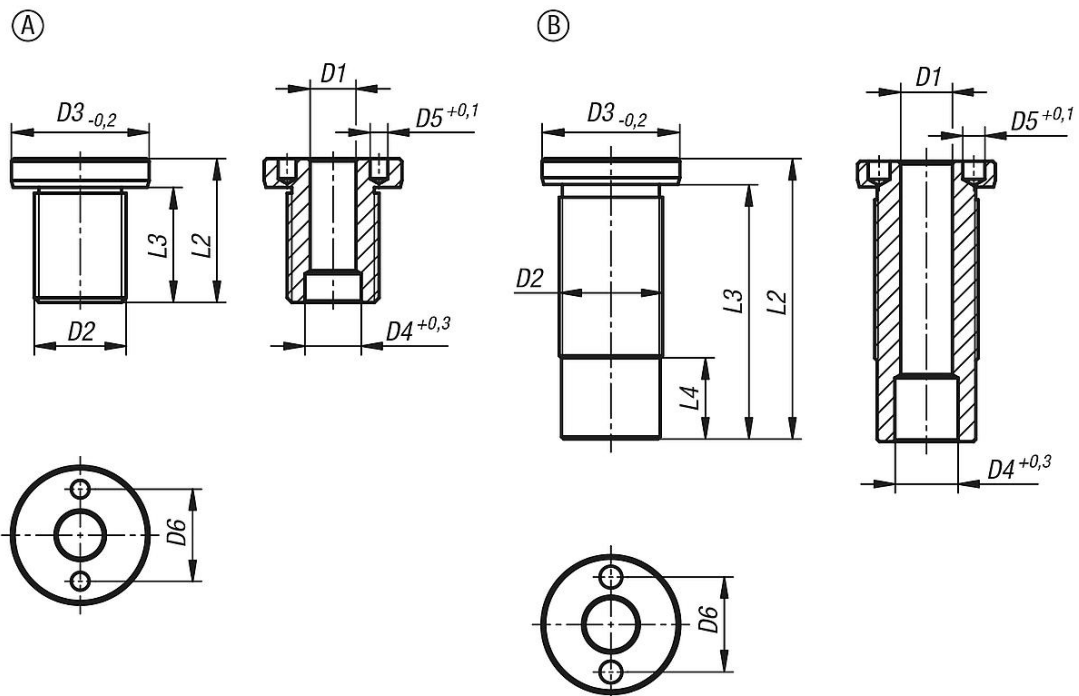
Hardened.

### Note:

The locating bushes offer a safe and quick option for holding the ball lifting pins. They ensure that installation in a range of supporting materials can be carried out easily and reliably. Can also be used with thin-walled parts and blind holes. This version is suitable for applications which require a flat surface after having been screwed in. They are corrosion-resistant and do not wear easily.



## Drawings



## Overview of items

### Locating bushes for ball lifting pins stainless steel, flat

## Locating bushes for ball lifting pins stainless steel, flat

### Overview of items

Order No.	Form	D1	D2	D3	D4	D5	D6	L1	L2	L3	L4	X	Tightening torque Nm
K1921.10810	A	8	M16x1,5	24	9,8	3,1	16	10	25	20	-	1,5	75
K1921.10815	A	8	M16x1,5	24	9,8	3,1	16	15	25	20	-	1,5	75
K1921.10825	A	8	M16	24	9,8	3,1	16	25	35	30	-	1,5	75
K1921.10835	A	8	M16	24	9,8	3,1	16	35	45	40	-	1,5	75
K1921.11015	A	10	M20x1,5	28	12,2	5,1	20	15	30	24	-	1,5	100
K1921.11025	A	10	M20x1,5	28	12,2	5,1	20	25	35	29	-	1,5	100
K1921.11035	A	10	M20	28	12,2	5,1	20	35	45	39	-	1,5	100
K1921.11050	A	10	M20	28	12,2	5,1	20	50	60	54	-	1,5	100
K1921.11215	A	12	M24x1,5	32	14,7	5,1	22	15	32	26	-	1,5	150
K1921.11225	A	12	M24x1,5	32	14,7	5,1	22	25	40	34	-	1,5	150
K1921.11625	A	16	M30x2	39	19,2	5,1	30	25	45	39	-	1,5	200
K1921.11235	B	12	M24	32	14,7	5,1	22	35	50	44	3,8	1,5	150
K1921.11250	B	12	M24	32	14,7	5,1	22	50	65	59	18,8	1,5	150
K1921.11650	B	16	M30	39	19,2	5,1	30	50	65	59	6	1,5	200
K1921.11675	B	16	M30	39	19,2	5,1	30	75	90	84	31	1,5	200
K1921.12050	B	20	M36x2	43	26	5,1	30	50	70	63	3,5	1,5	200
K1921.12075	B	20	M36x2	43	26	5,1	30	75	95	88	28,5	1,5	200