

Hook wrench with lug DIN 1810A enhanced

Item description/product images



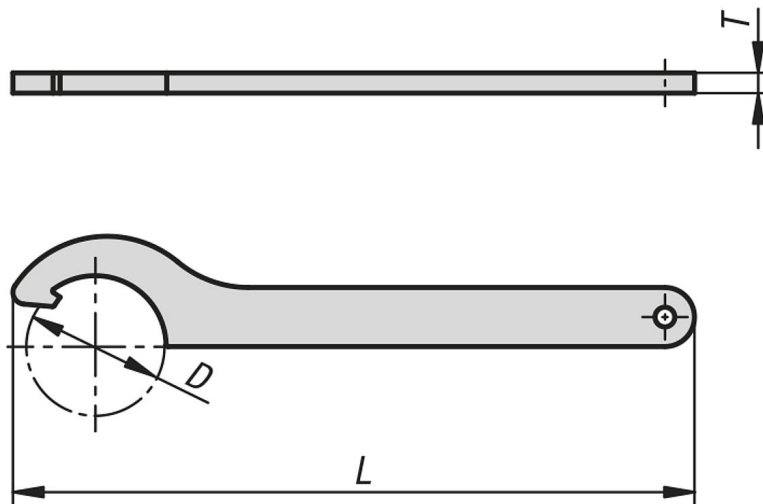
Description

Material:
Special steel.

Version:
Hardened and annealed in black oxide tone.

Note:
For DIN 1804 slotted round nuts, DIN 981 bearing nuts and for our levelling sets K0057 / K0097 / K0115 / K0119 / K0692 / K0693 / K0694 / K0695 (two hook wrenches will be required for the levelling sets). With rounded edges for better handling.

Drawings



Overview of items

Hook wrench with lug DIN 1810A expanded

Order No.	D min.	D max.	L	T	for slotted nuts DIN 1804	for bearing locknuts DIN 981
K0787.012014	12	14	110	3	-	-
K0787.016020	16	20	110	3	M6, M8	M10
K0787.025028	25	28	136	4	M10, M12	M16
K0787.030032	30	32	136	4	M14, M16	M18, M20
K0787.034036	34	36	170	5	M18, M20	M22
K0787.038045	38	45	170	5	M26	M24 - M30
K0787.040042	40	42	170	5	M22, M24	M26, M28
K0787.045050	45	50	206	6	M26 - M30	M32, M35
K0787.052055	52	55	206	6	M32, M35	M38
K0787.058062	58	62	240	7	M38 - M42	M42 - M45
K0787.065070	65	70	240	7	-	M48 - M52
K0787.068075	68	75	240	7	M45 - M50	M50 - M55
K0787.080090	80	90	280	8	M52 - M60	M60 - M70

