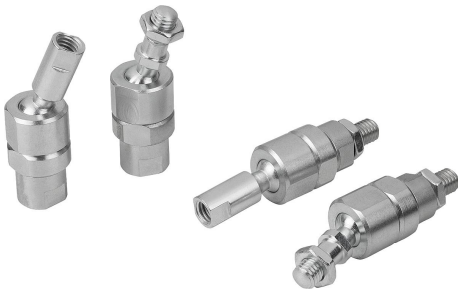


## Axial joints for tractive forces adjustable

### Item description/product images

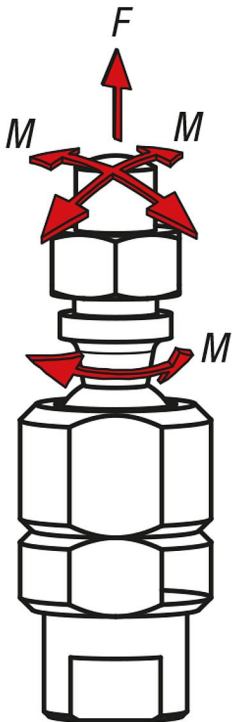


### Description

**Material:**  
Steel.

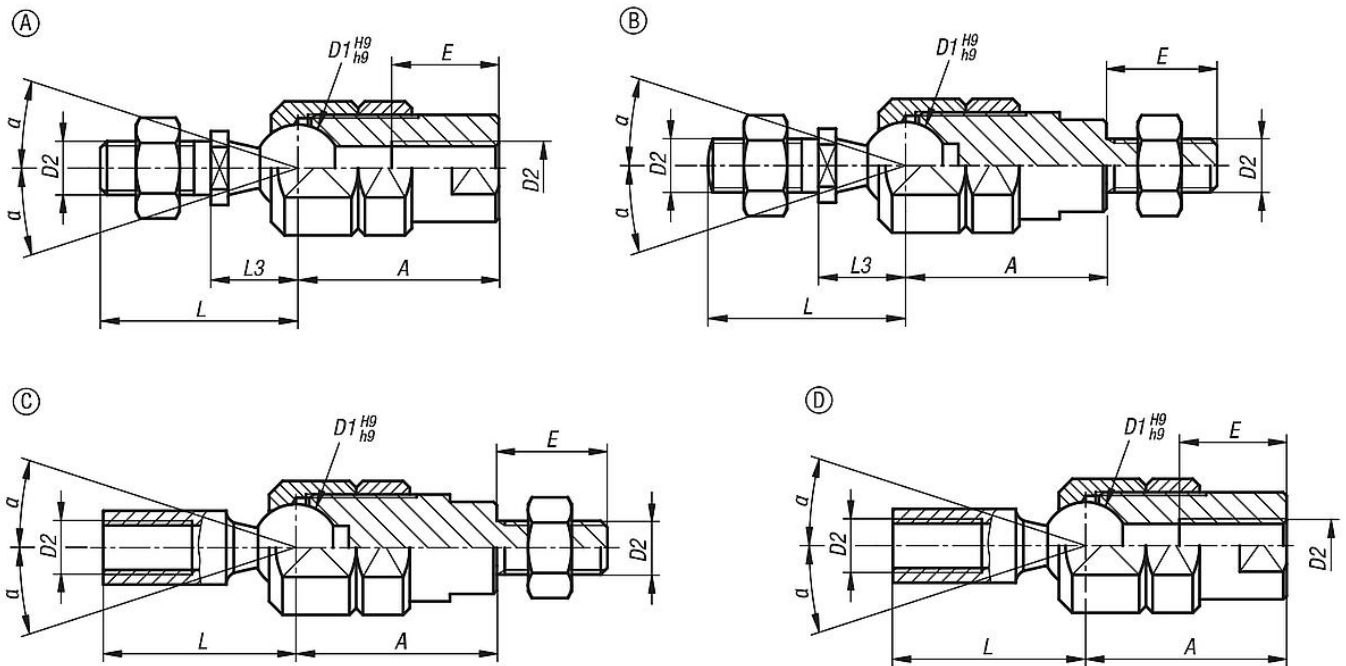
**Version:**  
Ball thrust pins trivalent passivated.  
Ball seat and nuts electro zinc-plated.

**Note:**  
Axial joint suitable for taking up tractive forces. The ball's movement can be controlled or fully locked in position using the clamping nut.



## Axial joints for tractive forces adjustable

### Drawings



### Overview of items

#### Axial joints for tractive forces adjustable

Order No.	Form	D1	D2	A	L	L3	E	$\alpha$	F kN	M Nm	Tightening torque max. Nm
K1936.1006	A	10	M6	25	23,5	11	12	20°	2,5	5,2	12,4
K1936.1308	A	13	M8	30	29,5	13	16	24°	5	8,8	13,2
K1936.1610	A	16	M10	35	36	16	20	28°	7,5	14,5	16,4
K1936.1612	A	16	M12	35	36	16	24	28°	7,5	14,5	16,4
K1936.21006	B	10	M6	21	23,5	11	12	20°	2,5	5,2	12,4
K1936.21308	B	13	M8	26	29,5	13	14	24°	5	8,8	13,2
K1936.21610	B	16	M10	35	36	16	16	28°	7,5	14,5	16,4
K1936.21612	B	16	M12	35	36	16	16	28°	7,5	14,5	16,4
K1936.31006	C	10	M6	21	23,5	-	12	20°	2,5	5,2	12,4
K1936.31308	C	13	M8	26	29,5	-	14	24°	5	8,8	13,2
K1936.31610	C	16	M10	35	36	-	16	28°	7,5	14,5	16,4
K1936.41006	D	10	M6	25	23,5	-	12	20°	2,5	5,2	12,4
K1936.41308	D	13	M8	30	29,5	-	16	24°	5	8,8	13,2
K1936.41610	D	16	M10	35	36	-	20	28°	7,5	14,5	16,4