

Adjusting knobs with position indicator digital display

Item description/product images



Description

Material:

Housing plastic.
Hollow shaft steel.
Screen plastic.

Version:

Housing fibreglass reinforced.
Hollow shaft black oxidised.

Note:

Adjusting knobs with integrated position indicators allow direct readout of set measurement values such as lengths, flow rates, speeds, etc, at a glance. In addition, the display value can be selected per spindle rotation (corresponding spindle pitch), with the different display values being realized by a variable ratio transmission. The torque support allows the use of the adjusting knobs in any assembly position, even in case of high vibrations.

** At the 1st asterisk give torque support and at the 2nd asterisk give the count direction (see sample order "torque support, count direction").

Technical data:

- Counter consisting of 4 10-position dials + fine scale
- Height of figures about 6 mm
- Hollow shaft \varnothing 14 H7 mm
- Temperature resistant to 80 °C
- Oil and solvent resistant

On request:

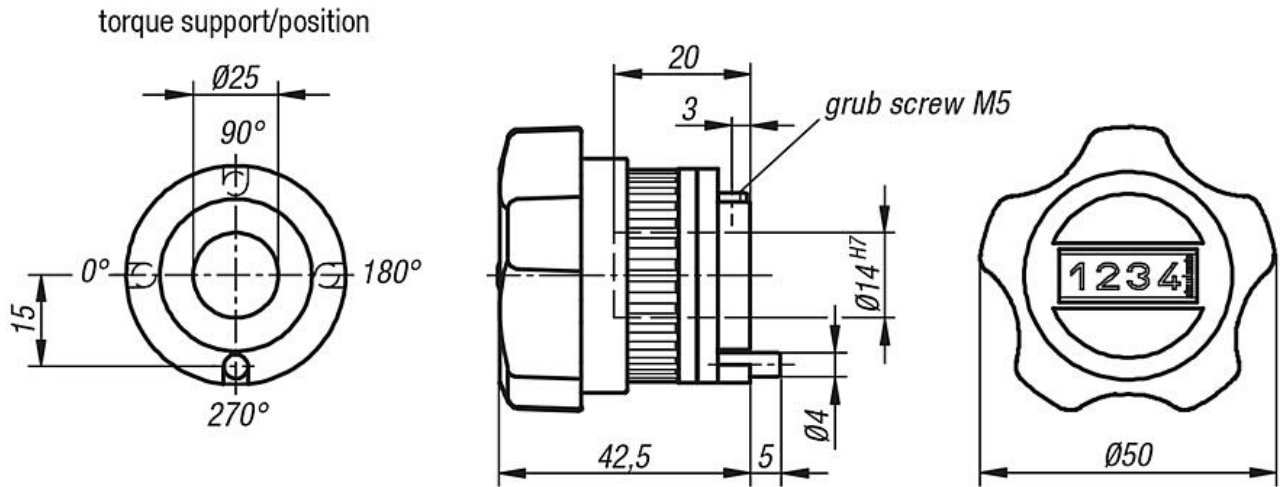
Other pitches

Accessory:

- Reducing bushes K0421

Adjusting knobs with position indicator digital display

Drawings



Indicator after one rotation, decimal point position:	Torque support (1 - 4):																		
<table border="1"> <thead> <tr> <th>order number</th> <th>for pitch</th> <th>display</th> </tr> </thead> <tbody> <tr> <td>0150</td> <td>1.5</td> <td>001,5</td> </tr> <tr> <td>0200</td> <td>2</td> <td>002,0</td> </tr> <tr> <td>0400</td> <td>4</td> <td>004,0</td> </tr> <tr> <td>0500</td> <td>5</td> <td>005,0</td> </tr> <tr> <td>1000</td> <td>10</td> <td>010,0</td> </tr> </tbody> </table>	order number	for pitch	display	0150	1.5	001,5	0200	2	002,0	0400	4	004,0	0500	5	005,0	1000	10	010,0	
order number	for pitch	display																	
0150	1.5	001,5																	
0200	2	002,0																	
0400	4	004,0																	
0500	5	005,0																	
1000	10	010,0																	
<p>e.g. K1928-01501112 0150 = 1.5 mm pitch 1 = decimal point at the 1st position from the right</p>	<p>e.g. K1928-01501112 1 = 270° (standard)</p>																		

Count direction (1 - 2):	Colour (1 - 2):
	<p>1 </p> <p>2 </p>
<p>e.g. K1928-01501112 1 = clockwise (ascending values) 2 = anticlockwise (ascending values)</p>	<p>e.g. K1928-01501112 1 = red 2 = black</p>

Adjusting knobs with position indicator digital display

Overview of items

Control knobs with position indicator, digital display

Order No.	Colour	Pitch	Indicator after one rotation	Decimal point in position	Count direction	torque support
K1928.01501111	red	1,5	001,5	1	1	1
K1928.01501121	red	1,5	001,5	1	2	1
K1928.01501211	red	1,5	001,5	1	1	2
K1928.01501221	red	1,5	001,5	1	2	2
K1928.01501311	red	1,5	001,5	1	1	3
K1928.01501321	red	1,5	001,5	1	2	3
K1928.01501411	red	1,5	001,5	1	1	4
K1928.01501421	red	1,5	001,5	1	2	4
K1928.02001111	red	2	002,0	1	1	1
K1928.02001121	red	2	002,0	1	2	1
K1928.02001211	red	2	002,0	1	1	2
K1928.02001221	red	2	002,0	1	2	2
K1928.02001311	red	2	002,0	1	1	3
K1928.02001321	red	2	002,0	1	2	3
K1928.02001411	red	2	002,0	1	1	4
K1928.02001421	red	2	002,0	1	2	4
K1928.04001111	red	4	004,0	1	1	1
K1928.04001121	red	4	004,0	1	2	1
K1928.04001211	red	4	004,0	1	1	2
K1928.04001221	red	4	004,0	1	2	2
K1928.04001311	red	4	004,0	1	1	3
K1928.04001321	red	4	004,0	1	2	3
K1928.04001411	red	4	004,0	1	1	4
K1928.04001421	red	4	004,0	1	2	4
K1928.05001111	red	5	005,0	1	1	1
K1928.05001121	red	5	005,0	1	2	1
K1928.05001211	red	5	005,0	1	1	2
K1928.05001221	red	5	005,0	1	2	2
K1928.05001311	red	5	005,0	1	1	3
K1928.05001321	red	5	005,0	1	2	3
K1928.05001411	red	5	005,0	1	1	4
K1928.05001421	red	5	005,0	1	2	4
K1928.10001111	red	10	010,0	1	1	1
K1928.10001121	red	10	010,0	1	2	1
K1928.10001211	red	10	010,0	1	1	2
K1928.10001221	red	10	010,0	1	2	2
K1928.10001311	red	10	010,0	1	1	3
K1928.10001321	red	10	010,0	1	2	3
K1928.10001411	red	10	010,0	1	1	4
K1928.10001421	red	10	010,0	1	2	4
K1928.01501112	black	1,5	001,5	1	1	1
K1928.01501122	black	1,5	001,5	1	2	1
K1928.01501212	black	1,5	001,5	1	1	2
K1928.01501222	black	1,5	001,5	1	2	2
K1928.01501312	black	1,5	001,5	1	1	3
K1928.01501322	black	1,5	001,5	1	2	3
K1928.01501412	black	1,5	001,5	1	1	4
K1928.01501422	black	1,5	001,5	1	2	4
K1928.02001112	black	2	002,0	1	1	1
K1928.02001122	black	2	002,0	1	2	1
K1928.02001212	black	2	002,0	1	1	2
K1928.02001222	black	2	002,0	1	2	2
K1928.02001312	black	2	002,0	1	1	3
K1928.02001322	black	2	002,0	1	2	3
K1928.02001412	black	2	002,0	1	1	4
K1928.02001422	black	2	002,0	1	2	4
K1928.04001112	black	4	004,0	1	1	1
K1928.04001122	black	4	004,0	1	2	1
K1928.04001212	black	4	004,0	1	1	2

Adjusting knobs with position indicator digital display

Overview of items

Order No.	Colour	Pitch	Indicator after one rotation	Decimal point in position	Count direction	torque support
K1928.04001222	black	4	004,0	1	2	2
K1928.04001312	black	4	004,0	1	1	3
K1928.04001322	black	4	004,0	1	2	3
K1928.04001412	black	4	004,0	1	1	4
K1928.04001422	black	4	004,0	1	2	4
K1928.05001112	black	5	005,0	1	1	1
K1928.05001122	black	5	005,0	1	2	1
K1928.05001212	black	5	005,0	1	1	2
K1928.05001222	black	5	005,0	1	2	2
K1928.05001312	black	5	005,0	1	1	3
K1928.05001322	black	5	005,0	1	2	3
K1928.05001412	black	5	005,0	1	1	4
K1928.05001422	black	5	005,0	1	2	4
K1928.10001112	black	10	010,0	1	1	1
K1928.10001122	black	10	010,0	1	2	1
K1928.10001212	black	10	010,0	1	1	2
K1928.10001222	black	10	010,0	1	2	2
K1928.10001312	black	10	010,0	1	1	3
K1928.10001322	black	10	010,0	1	2	3
K1928.10001412	black	10	010,0	1	1	4
K1928.10001422	black	10	010,0	1	2	4