

Pull handles, aluminium

Item description/product images



Description

Product description:

This pull handle is characterised by its large size and pleasant haptics. Easy to clean due to its closed and smooth design.

Material:

Pull handle EN AW-6060.
Screw, nut and washer stainless steel.

Version:

Black or silver.

Assembly:

Form A from the front.
Form B from the rear.

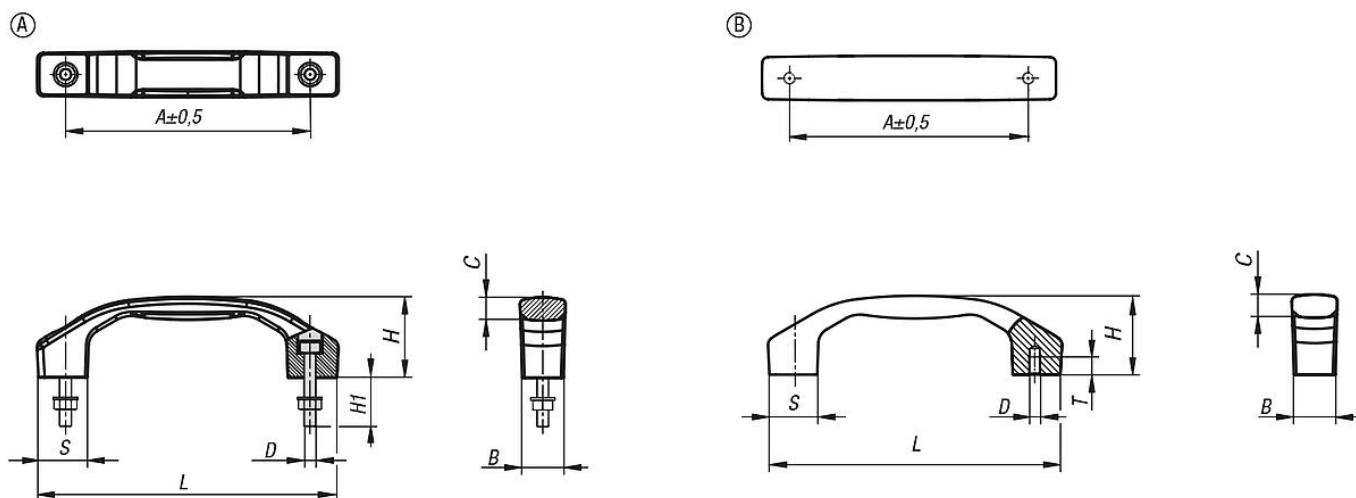
Advantages:

Element for opening and closing covers, panels and hoods.
Application fields: machine and plant construction, toolmaking and furniture industries.
Torsionally strong and user friendly.

Supplied with:

Form A includes fastening screws, washers and nuts.

Drawings



Overview of items

Pull handles, aluminium

Order No.	Form	Main colour	A	B	C	D	H	H1	L	S	T	Load capacity N
K1641.1100051	A	black	100	17	9,5	M5	33	20	122	20	-	1000
K1641.1120061	A	black	120	21	11,4	M6	39	25	146	24	-	1000
K1641.1140081	A	black	140	24	14,2	M8	45	30	170	28	-	1000
K1641.1160081	A	black	160	28	15,5	M8	52	30	194	32	-	1000
K1641.1180101	A	black	180	31	16	M10	58	40	218	36	-	1000

Pull handles, aluminium

Overview of items

Order No.	Form	Main colour	A	B	C	D	H	H1	L	S	T	Load capacity N
K1641.1100053	A	silver	100	17	9,5	M5	33	20	122	20	-	1000
K1641.1120063	A	silver	120	21	11,4	M6	39	25	146	24	-	1000
K1641.1140083	A	silver	140	24	14,2	M8	45	30	170	28	-	1000
K1641.1160083	A	silver	160	28	15,5	M8	52	30	194	32	-	1000
K1641.1180103	A	silver	180	31	16	M10	58	40	218	36	-	1000
K1641.2100051	B	black	100	17	9,5	M5	33	-	122	20	7,5	1000
K1641.2120061	B	black	120	21	11,4	M6	39	-	146	24	9	1000
K1641.2140081	B	black	140	24	14,2	M8	45	-	170	28	12	1000
K1641.2160081	B	black	160	28	15,5	M8	52	-	194	32	12	1000
K1641.2180101	B	black	180	31	16	M10	58	-	218	36	15	1000
K1641.2100053	B	silver	100	17	9,5	M5	33	-	122	20	7,5	1000
K1641.2120063	B	silver	120	21	11,4	M6	39	-	146	24	9	1000
K1641.2140083	B	silver	140	24	14,2	M8	45	-	170	28	12	1000
K1641.2160083	B	silver	160	28	15,5	M8	52	-	194	32	12	1000
K1641.2180103	B	silver	180	31	16	M10	58	-	218	36	15	1000