

Disc handwheels, aluminium with revolving cylindrical grip, Form A with reamed hole and transverse bore

Item description/product images



Description

Material:

Handwheel aluminium.
Cylinder grip and hub cover black thermoplastic.
Cylinder grip pin black oxidised steel.
ISO 4027 grub screw, steel grade 45 H, black.

Version:

Black or silver powder-coated.

Note:

Wheel rim radial and axial run-out ≤ 0.4 mm.

Assembly:

The hub cover and the revolving cylinder grip are supplied unassembled. To assemble, screw the grip into the tapped hole.
The handwheels can be secured to a shaft using a transverse pin or by parallel key connection together with a DIN 6912 cap screw and a handwheel washer K0173.
By the versions with transverse bore, fixation is carried out using an ISO 4027 grub screw.

Supplied with:

Aluminium handwheel.
Hub cover.
Revolving cylinder grip.
ISO 4027 grub screw (type with transverse bore).

Accessory:

K0173 Handwheel washers.
K1160 Socket head screws with low head DIN 6912.

Drawing reference:

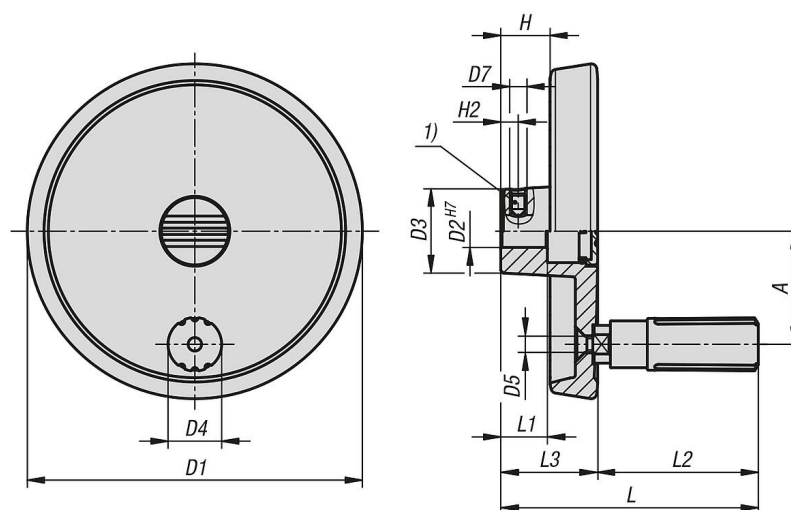
1) Position of the transverse bore to the keyway is offset by 90° .

Disc handwheels, aluminium with revolving cylindrical grip, Form A with reamed hole and transverse bore

Item description/product images



Drawings



Overview of items

| Order No. | Main colour | Form | Form definition | A | D1 | D2 | D3 | D4 | L1 | L3 | H | H2 | D7 | L | L2 | D5 |
|---------------|-------------|------|---------------------------------|----|-----|----|----|------|----|----|------|-----|----|----|----|----|
| K1521.0801016 | black | A | reamed hole with tranverse bore | 27 | 80 | 10 | 26 | 13,9 | 16 | 29 | 16,6 | 5,5 | M6 | 68 | 39 | M4 |
| K1521.0801216 | black | A | reamed hole with tranverse bore | 27 | 80 | 12 | 26 | 13,9 | 16 | 29 | 16,6 | 6,5 | M6 | 68 | 39 | M4 |
| K1521.1001016 | black | A | reamed hole with tranverse bore | 33 | 100 | 10 | 28 | 16 | 17 | 33 | 17,5 | 5,5 | M6 | 81 | 48 | M5 |
| K1521.1001216 | black | A | reamed hole with tranverse bore | 33 | 100 | 12 | 28 | 16 | 17 | 33 | 17,5 | 6,5 | M6 | 81 | 48 | M5 |

Disc handwheels, aluminium with revolving cylindrical grip, Form A with reamed hole and transverse bore

Overview of items

| Order No. | Main colour | Form | Form definition | A | D1 | D2 | D3 | D4 | L1 | L3 | H | H2 | D7 | L | L2 | D5 |
|----------------------|-------------|------|---------------------------------|----|-----|----|----|------|----|----|------|-----|----|----|----|----|
| K1521.1251216 | black | A | reamed hole with tranverse bore | 42 | 125 | 12 | 31 | 19,9 | 18 | 36 | 18,3 | 6,5 | M6 | 96 | 60 | M6 |
| K1521.1251416 | black | A | reamed hole with tranverse bore | 42 | 125 | 14 | 31 | 19,9 | 18 | 36 | 18,3 | 6,5 | M6 | 96 | 60 | M6 |
| K1521.0801026 | silver | A | reamed hole with tranverse bore | 27 | 80 | 10 | 26 | 13,9 | 16 | 29 | 16,6 | 5,5 | M6 | 68 | 39 | M4 |
| K1521.0801226 | silver | A | reamed hole with tranverse bore | 27 | 80 | 12 | 26 | 13,9 | 16 | 29 | 16,6 | 6,5 | M6 | 68 | 39 | M4 |
| K1521.1001026 | silver | A | reamed hole with tranverse bore | 33 | 100 | 10 | 28 | 16 | 17 | 33 | 17,5 | 5,5 | M6 | 81 | 48 | M5 |
| K1521.1001226 | silver | A | reamed hole with tranverse bore | 33 | 100 | 12 | 28 | 16 | 17 | 33 | 17,5 | 6,5 | M6 | 81 | 48 | M5 |
| K1521.1251226 | silver | A | reamed hole with tranverse bore | 42 | 125 | 12 | 31 | 19,9 | 18 | 36 | 18,3 | 6,5 | M6 | 96 | 60 | M6 |
| K1521.1251426 | silver | A | reamed hole with tranverse bore | 42 | 125 | 14 | 31 | 19,9 | 18 | 36 | 18,3 | 6,5 | M6 | 96 | 60 | M6 |