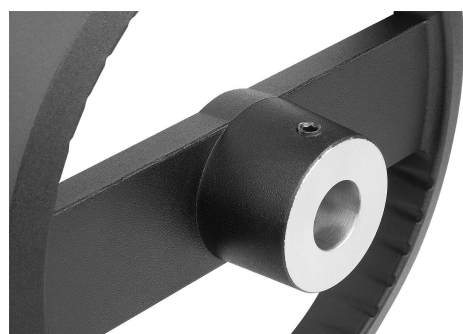
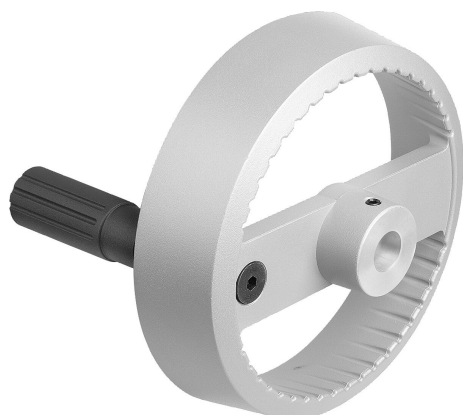


2-spoke handwheels, aluminium, with fold-down cylinder grip, Form A with reamed hole and transverse bore

Item description/product images



Description

Material:

Handwheel aluminium.
Cylinder grip and hub cover black thermoplastic.
Cylinder grip pin black oxidised steel.
ISO 4027 grub screw, steel grade 45 H, black.

Version:

Black or silver powder-coated.

Note:

Wheel rim radial and axial run-out ≤ 0.4 mm.

Assembly:

The hub cover is supplied unassembled.
The handwheels can be secured to a shaft using a transverse pin or by parallel key connection together with a DIN 6912 cap screw and a handwheel washer K0173.
By the versions with transverse bore, fixation is carried out using an ISO 4027 grub screw.

Supplied with:

Aluminium handwheel.
Hub cover.
Fold-down cylinder grip.
ISO 4027 grub screw (type with transverse bore).

Accessory:

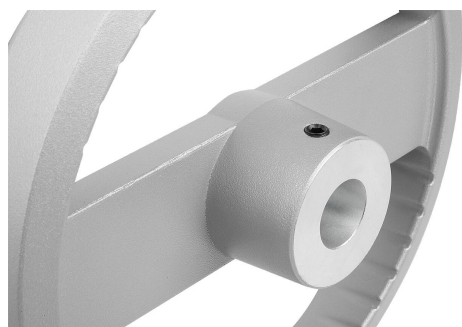
K0173 Handwheel washers.
K1160 Socket head screws with low head DIN 6912.

Drawing reference:

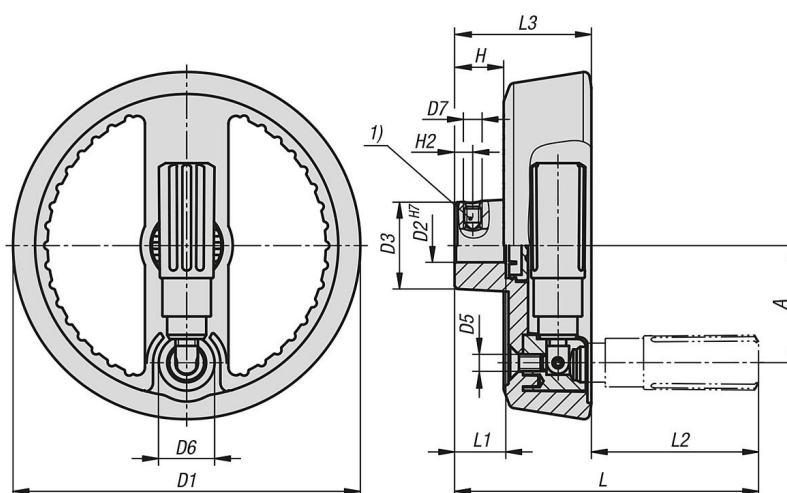
1) Position of the transverse bore to the keyway is offset by 90°.

2-spoke handwheels, aluminium, with fold-down cylinder grip, Form A with reamed hole and transverse bore

Item description/product images



Drawings



Overview of items

Order No.	Main colour	Form	Form definition	A	D1	D2	D3	D4	D5	D6	D7	H	H2	L	L1	L2	L3
K1525.1251216	black	A	reamed hole with transverse bore	42	125	12	31	19,9	M6	20	M6	17,6	6,5	105	18	56	49

2-spoke handwheels, aluminium, with fold-down cylinder grip, Form A with reamed hole and transverse bore

Overview of items

Order No.	Main colour	Form	Form definition	A	D1	D2	D3	D4	D5	D6	D7	H	H2	L	L1	L2	L3
K1525.1251416	black	A	reamed hole with transverse bore	42	125	14	31	19,9	M6	20	M6	17,6	6,5	105	18	56	49
K1525.1601416	black	A	reamed hole with transverse bore	55	160	14	36	26	M8	26	M6	17,8	6,5	137	20	80	57
K1525.1601616	black	A	reamed hole with transverse bore	55	160	16	36	26	M8	26	M6	17,8	8	137	20	80	57
K1525.1251226	silver	A	reamed hole with transverse bore	42	125	12	31	19,9	M6	20	M6	17,6	6,5	105	18	56	49
K1525.1251426	silver	A	reamed hole with transverse bore	42	125	14	31	19,9	M6	20	M6	17,6	6,5	105	18	56	49
K1525.1601426	silver	A	reamed hole with transverse bore	55	160	14	36	26	M8	26	M6	17,8	6,5	137	20	80	57
K1525.1601626	silver	A	reamed hole with transverse bore	55	160	16	36	26	M8	26	M6	17,8	8	137	20	80	57