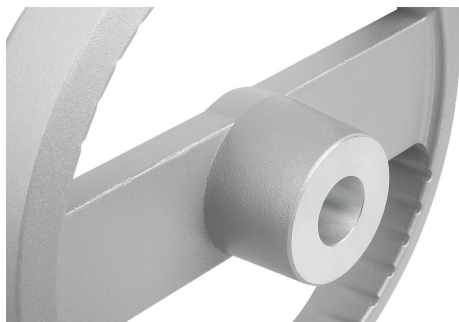
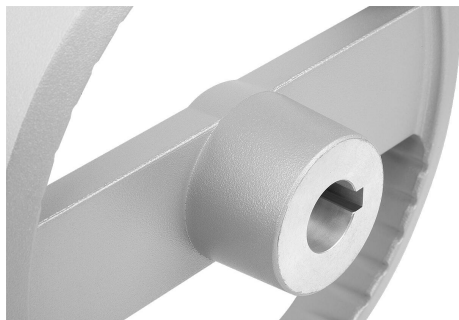
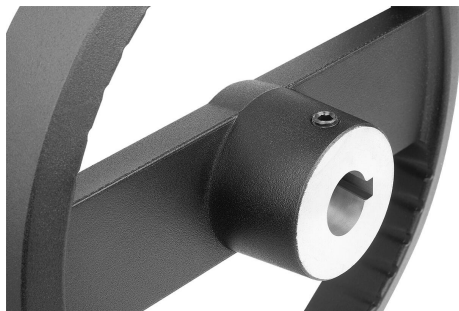
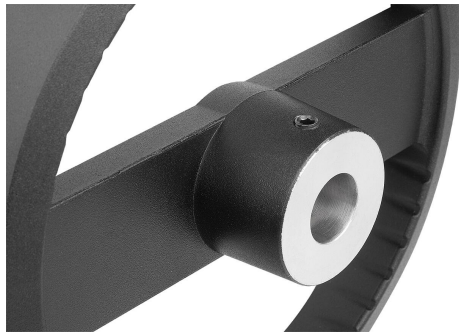


2-spoke handwheels, aluminium with fold-down cylinder grip

Item description/product images



Description

Material:

Handwheel aluminium.
Cylinder grip and hub cover black thermoplastic.
Cylinder grip pin black oxidised steel.
ISO 4027 grub screw, steel grade 45 H, black.

Version:

Black or silver powder-coated.

With reamed hole.

With reamed hole and keyway.

With reamed hole and transverse bore.

With reamed hole, keyway and transverse bore.

Note:

Wheel rim radial and axial run-out ≤ 0.4 mm.

Assembly:

The hub cover is supplied unassembled.

The handwheels can be secured to a shaft using a transverse pin or by parallel key connection together with a DIN 6912 cap screw and a handwheel washer K0173.

By the versions with transverse bore, fixation is carried out using an ISO 4027 grub screw.

Supplied with:

Aluminium handwheel.

Hub cover.

Fold-down cylinder grip.

ISO 4027 grub screw (type with transverse bore).

Accessory:

K0173 Handwheel washers.

K1160 Socket head screws with low head DIN 6912.

Drawing reference:

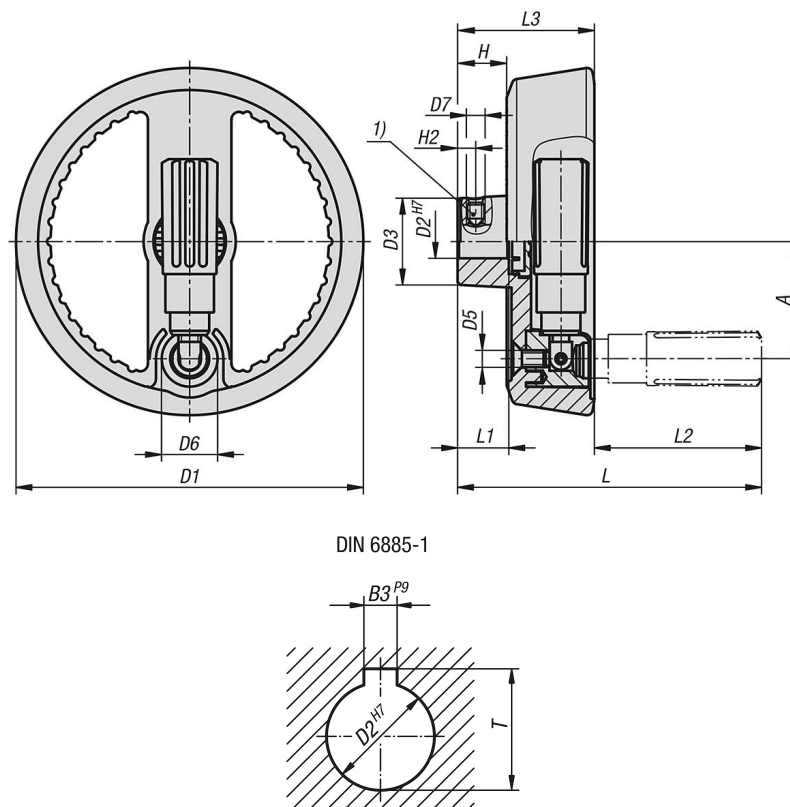
1) Position of the transverse bore to the keyway is offset by 90° .

2-spoke handwheels, aluminium with fold-down cylinder grip

Item description/product images



Drawings



Overview of items

2-spoke handwheels, aluminium with fold-down cylinder grip

2-spoke handwheels, aluminium with fold-down cylinder grip

Overview of items

Order No.	Main colour	Form	Form definition	A	B3	D1	D2	D3	D4	D5	D6	D7	H	H2	L	L1	L2	L3	T
K1525.1251216	black	A	reamed hole with tranverse bore	42	-	125	12	31	19,9	M6	20	M6	17,6	6,5	105	18	56	49	-
K1525.1251416	black	A	reamed hole with tranverse bore	42	-	125	14	31	19,9	M6	20	M6	17,6	6,5	105	18	56	49	-
K1525.1601416	black	A	reamed hole with tranverse bore	55	-	160	14	36	26	M8	26	M6	17,8	6,5	137	20	80	57	-
K1525.1601616	black	A	reamed hole with tranverse bore	55	-	160	16	36	26	M8	26	M6	17,8	8	137	20	80	57	-
K1525.1251226	silver	A	reamed hole with tranverse bore	42	-	125	12	31	19,9	M6	20	M6	17,6	6,5	105	18	56	49	-
K1525.1251426	silver	A	reamed hole with tranverse bore	42	-	125	14	31	19,9	M6	20	M6	17,6	6,5	105	18	56	49	-
K1525.1601426	silver	A	reamed hole with tranverse bore	55	-	160	14	36	26	M8	26	M6	17,8	6,5	137	20	80	57	-
K1525.1601626	silver	A	reamed hole with tranverse bore	55	-	160	16	36	26	M8	26	M6	17,8	8	137	20	80	57	-
K1525.125121046	black	B	reamed hole with slot, with transverse bore	42	4	125	12	31	19,9	M6	20	M6	17,6	6,5	105	18	56	49	13,8
K1525.125141056	black	B	reamed hole with slot, with transverse bore	42	5	125	14	31	19,9	M6	20	M6	17,6	6,5	105	18	56	49	16,3
K1525.160141056	black	B	reamed hole with slot, with transverse bore	55	5	160	14	36	26	M8	26	M6	17,8	6,5	137	20	80	57	16,3
K1525.160161056	black	B	reamed hole with slot, with transverse bore	55	5	160	16	36	26	M8	26	M6	17,8	8	137	20	80	57	18,3
K1525.125122046	silver	B	reamed hole with slot, with transverse bore	42	4	125	12	31	19,9	M6	20	M6	17,6	6,5	105	18	56	49	13,8
K1525.125142056	silver	B	reamed hole with slot, with transverse bore	42	5	125	14	31	19,9	M6	20	M6	17,6	6,5	105	18	56	49	16,3
K1525.160142056	silver	B	reamed hole with slot, with transverse bore	55	5	160	14	36	26	M8	26	M6	17,8	6,5	137	20	80	57	16,3
K1525.160162056	silver	B	reamed hole with slot, with transverse bore	55	5	160	16	36	26	M8	26	M6	17,8	8	137	20	80	57	18,3
K1525.12512104	black	C	reamed hole with slot	42	4	125	12	31	19,9	M6	20	-	17,6	-	105	18	56	49	13,8
K1525.12514105	black	C	reamed hole with slot	42	5	125	14	31	19,9	M6	20	-	17,6	-	105	18	56	49	16,3
K1525.16014105	black	C	reamed hole with slot	55	5	160	14	36	26	M8	26	-	17,8	-	137	20	80	57	16,3
K1525.16016105	black	C	reamed hole with slot	55	5	160	16	36	26	M8	26	-	17,8	-	137	20	80	57	18,3
K1525.12512204	silver	C	reamed hole with slot	42	4	125	12	31	19,9	M6	20	-	17,6	-	105	18	56	49	13,8
K1525.12514205	silver	C	reamed hole with slot	42	5	125	14	31	19,9	M6	20	-	17,6	-	105	18	56	49	16,3
K1525.16014205	silver	C	reamed hole with slot	55	5	160	14	36	26	M8	26	-	17,8	-	137	20	80	57	16,3
K1525.16016205	silver	C	reamed hole with slot	55	5	160	16	36	26	M8	26	-	17,8	-	137	20	80	57	18,3
K1525.125121	black	E	with reamed hole	42	-	125	12	31	19,9	M6	20	-	17,6	-	105	18	56	49	-
K1525.125141	black	E	with reamed hole	42	-	125	14	31	19,9	M6	20	-	17,6	-	105	18	56	49	-
K1525.160141	black	E	with reamed hole	55	-	160	14	36	26	M8	26	-	17,8	-	137	20	80	57	-
K1525.160161	black	E	with reamed hole	55	-	160	16	36	26	M8	26	-	17,8	-	137	20	80	57	-
K1525.125122	silver	E	with reamed hole	42	-	125	12	31	19,9	M6	20	-	17,6	-	105	18	56	49	-
K1525.125142	silver	E	with reamed hole	42	-	125	14	31	19,9	M6	20	-	17,6	-	105	18	56	49	-
K1525.160142	silver	E	with reamed hole	55	-	160	14	36	26	M8	26	-	17,8	-	137	20	80	57	-
K1525.160162	silver	E	with reamed hole	55	-	160	16	36	26	M8	26	-	17,8	-	137	20	80	57	-