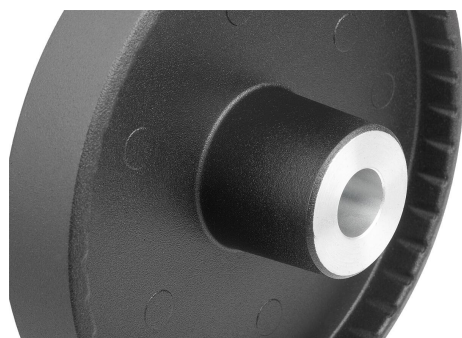
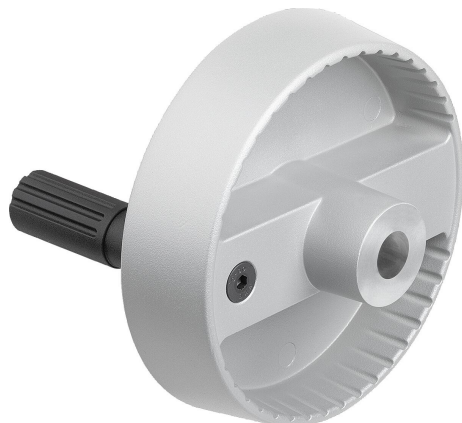


Disc handwheels, aluminium with fold-down cylindrical grip, Form E with reamed hole

Item description/product images



Description

Material:

Handwheel aluminium.
Cylinder grip and hub cover black thermoplastic.
Cylinder grip pin black oxidised steel.
ISO 4027 grub screw, steel grade 45 H, black.

Version:

Black or silver powder-coated.

Note:

Wheel rim radial and axial run-out ≤ 0.4 mm.

Assembly:

The hub cover is supplied unassembled.
The handwheels can be secured to a shaft using a transverse pin or by parallel key connection together with a DIN 6912 cap screw and a handwheel washer K0173.
By the versions with transverse bore, fixation is carried out using an ISO 4027 grub screw.

Supplied with:

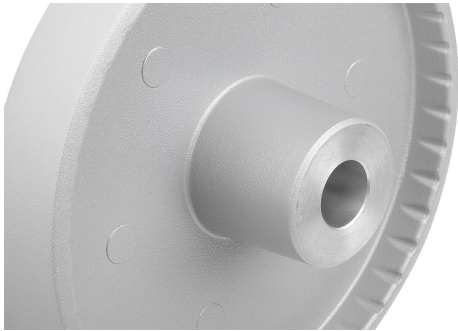
Aluminium handwheel.
Hub cover.
Fold-down cylinder grip.
ISO 4027 grub screw (type with transverse bore).

Accessory:

K0173 Handwheel washers.
K1160 Socket head screws with low head DIN 6912.

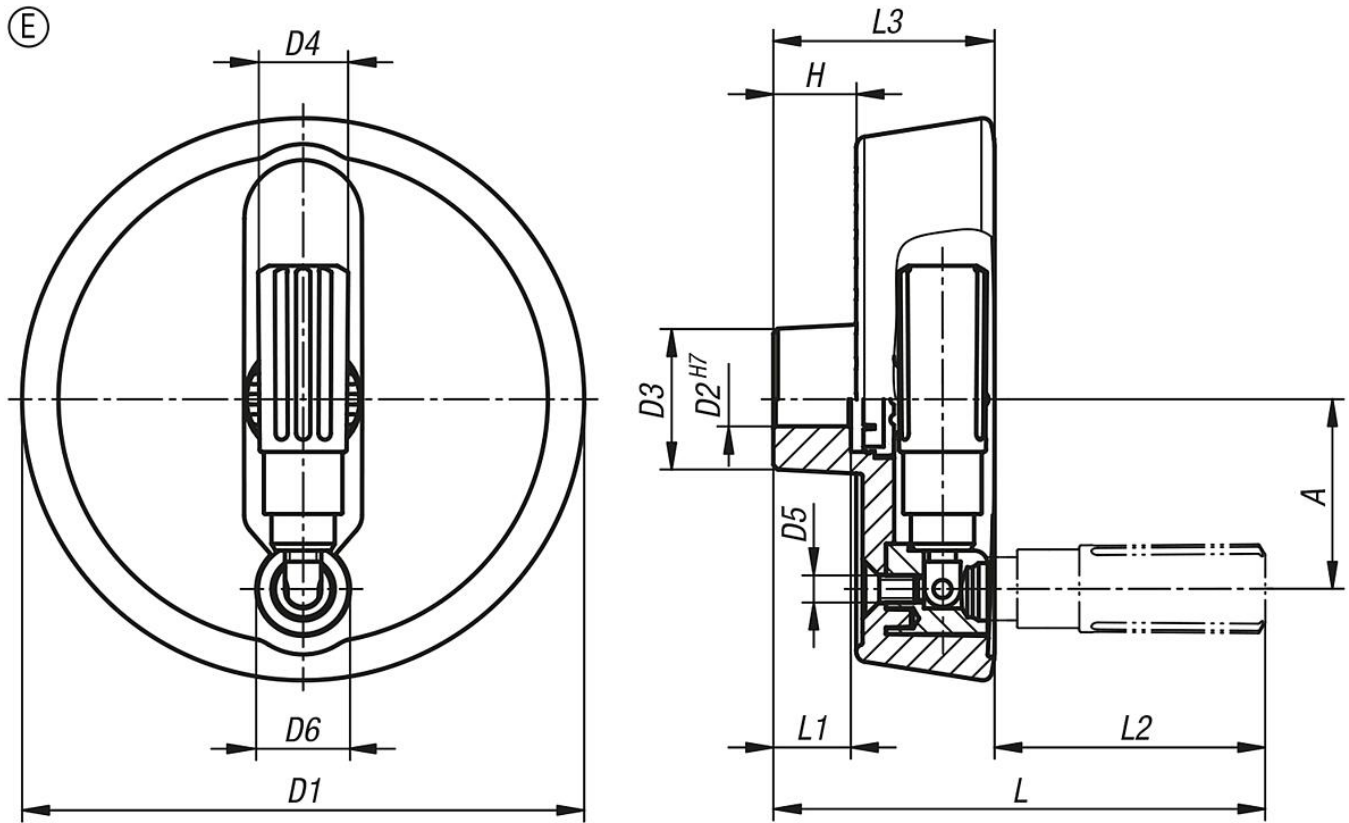
Disc handwheels, aluminium with fold-down cylindrical grip, Form E with reamed hole

Item description/product images



Disc handwheels, aluminium with fold-down cylindrical grip, Form E with reamed hole

Drawings



Overview of items

Order No.	Main colour	Form	Form definition	A	D1	D2	D3	D4	D5	D6	H	L	L1	L2	L3
K1522.100101	black	E	with reamed hole	33	100	10	28	16	M5	16	17,4	92,5	17	47,5	45
K1522.100121	black	E	with reamed hole	33	100	12	28	16	M5	16	17,4	92,5	17	47,5	45
K1522.125121	black	E	with reamed hole	42	125	12	31	19,9	M6	20	18,3	105,5	18	56,5	49
K1522.125141	black	E	with reamed hole	42	125	14	31	19,9	M6	20	18,3	105,5	18	56,5	49
K1522.100102	silver	E	with reamed hole	33	100	10	28	16	M5	16	17,4	92,5	17	47,5	45
K1522.100122	silver	E	with reamed hole	33	100	12	28	16	M5	16	17,4	92,5	17	47,5	45
K1522.125122	silver	E	with reamed hole	42	125	12	31	19,9	M6	20	18,3	105,5	18	56,5	49
K1522.125142	silver	E	with reamed hole	42	125	14	31	19,9	M6	20	18,3	105,5	18	56,5	49