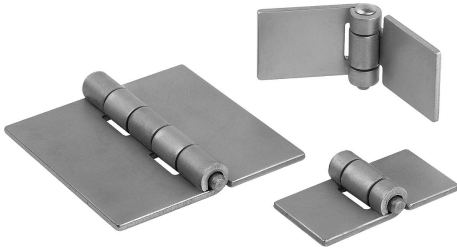


## Hinges steel or stainless steel weldable

### Item description/product images



### Description

#### Material:

Steel or stainless steel.

#### Version:

Profile steel bright.

Stainless steel 1.4301.

#### Note:

The loading values given for the hinges are non-binding reference values without consideration of safety factors and exclude any liability. The values given are for information purposes only and do not constitute a legally binding assurance of properties.

The load values have been determined under laboratory conditions. Each user must determine individually whether the hinge is suitable for the respective application.

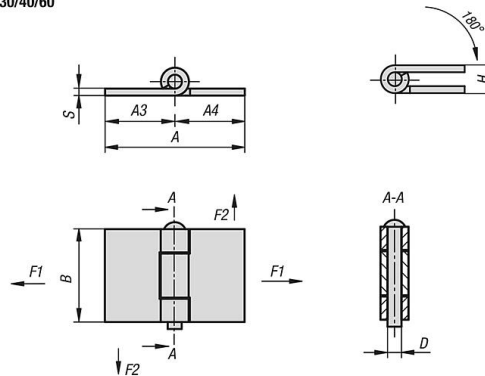
Different materials attached to the hinge and the type of attachment used, meteorological conditions and wear can effect the calculated values.

#### Assembly:

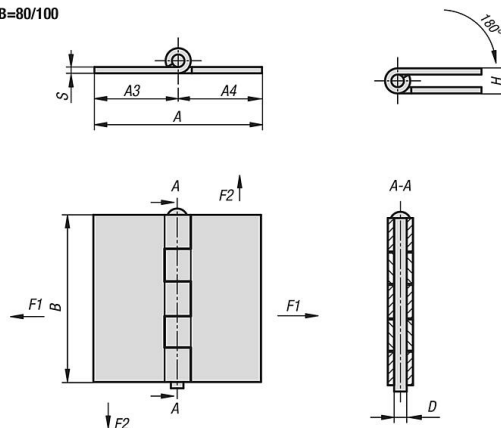
Through welding or customised holes.

### Drawings

B=30/40/60



B=80/100



## Hinges steel or stainless steel weldable

### Overview of items

#### Hinges, steel or stainless steel, weldable

Order No.	Main material	A	B	D	A3	A4	H	S	F1 N	F2 N
K1805.00300300303	steel	60	30	6	30	30	12	3	800	1200
K1805.00300300403	steel	60	40	6	30	30	12	3	800	1200
K1805.00300300603	steel	60	60	6	30	30	12	3	1200	1800
K1805.00400400303	steel	80	30	6	40	40	12	3	800	800
K1805.00400400403	steel	80	40	6	40	40	12	3	800	1000
K1805.00400400803	steel	80	80	6	40	40	12	3	1200	1800
K1805.00500501003	steel	100	100	6	50	50	12	3	1200	1800
K1805.10300300303	stainless steel A2	60	30	6	30	30	12	3	700	1000
K1805.10300300403	stainless steel A2	60	40	6	30	30	12	3	700	1000
K1805.10300300603	stainless steel A2	60	60	6	30	30	12	3	1000	1500
K1805.10400400303	stainless steel A2	80	30	6	40	40	12	3	700	600
K1805.10400400403	stainless steel A2	80	40	6	40	40	12	3	700	800
K1805.10400400803	stainless steel A2	80	80	6	40	40	12	3	1000	1500
K1805.10500501003	stainless steel A2	100	100	6	50	50	12	3	1000	1500