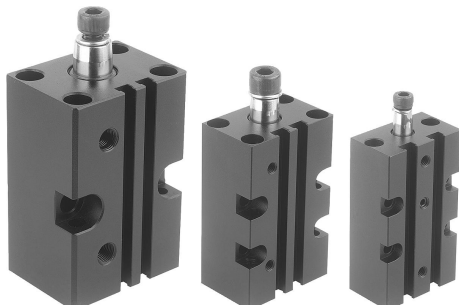


Swing clamps pneumatic

Item description/product images



Examples:



with screws from above



with screws from below



lateral to the rear



lateral to the front

Description

Material:

Body aluminium.

Double-acting piston rod stainless steel.

Version:

Body black anodised.

Note:

Swing clamps are used where low clamping forces suffice or where the clamping point must be free when mounting and removing the workpiece. The block form of the housing offers universal fastening possibilities. The magnetic piston is primed for electrical end position feedback.

Including screw and lock washer for fastening the clamping arms (accessories).

The swing action of the clamp should not be blocked.

F1 = at 6 bar (max. operating pressure).

On request:

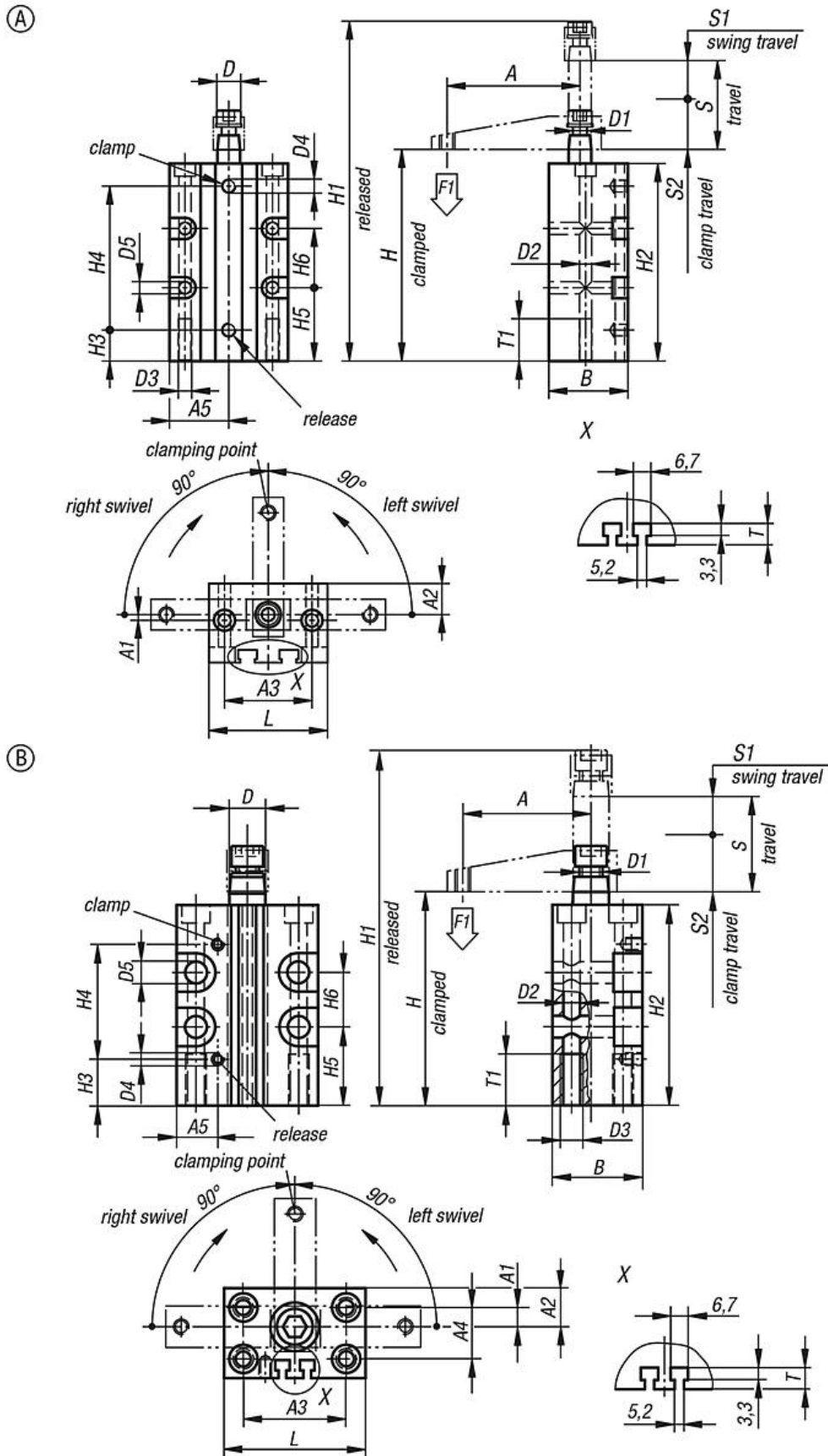
Proximity switch.

Accessory:

- Clamping arm K1816
- Adapter K1817

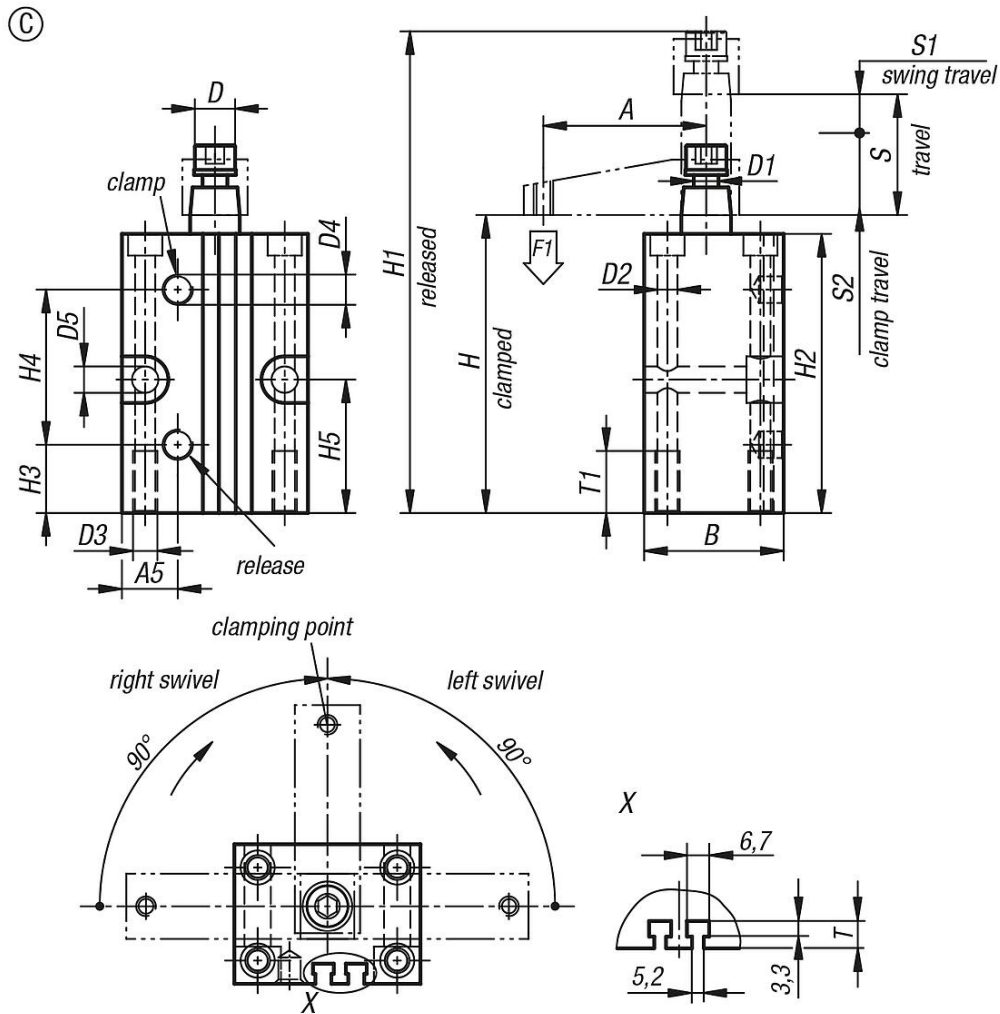
Swing clamps pneumatic

Drawings



Swing clamps pneumatic

Drawings



Overview of items

Pneumatic swing clamps

Order No.	Version 2	Form	Size	A	A1	A2	A3	A5	B	D	D1	D2	D3	D4	D5
K1815.1121	swivel to the right	A	12	35	0	10	31	20	24	8	M5	4,3	M5	M5	4,3
K1815.1161	swivel to the right	A	16	41	-2	11	31	21	28	8	M5	4,3	M5	M5	4,3
K1815.2121	swivel to the left	A	12	35	0	10	31	20	24	8	M5	4,3	M5	M5	4,3
K1815.2161	swivel to the left	A	16	41	-2	11	31	21	28	8	M5	4,3	M5	M5	4,3
K1815.1201	swivel to the right	B	20	48	8	13	36	11,5	30	12	M8	5,5	M6	M5	5,5
K1815.2201	swivel to the left	B	20	48	8	13	36	11,5	30	12	M8	5,5	M6	M5	5,5
K1815.1251	swivel to the right	C	25	50	7,5	15	40	17	35	14	M8	6,5	M8	M5	8,5
K1815.1321	swivel to the right	C	32	60	12,5	20	45	18	45	16	M8	6,5	M8	G1/8	8,5
K1815.1401	swivel to the right	C	40	70	15,5	24,5	52	22	55	16	M8	8,5	M10	G1/8	8,5
K1815.1501	swivel to the right	C	50	80	21,5	31	66	25	65	20	M10	8,5	M10	G1/8	10,5
K1815.1631	swivel to the right	C	63	90	27,5	37,5	80	30	80	20	M10	10,5	M12	G1/8	10,5
K1815.2251	swivel to the left	C	25	50	7,5	15	40	17	35	14	M8	6,5	M8	M5	8,5
K1815.2321	swivel to the left	C	32	60	12,5	20	45	18	45	16	M8	6,5	M8	G1/8	8,5
K1815.2401	swivel to the left	C	40	70	15,5	24,5	52	22	55	16	M8	8,5	M10	G1/8	8,5
K1815.2501	swivel to the left	C	50	80	21,5	31	66	25	65	15	M10	8,5	M10	G1/8	10,5
K1815.2631	swivel to the left	C	63	90	27,5	37,5	80	30	80	15	M10	10,5	M12	G1/8	10,5

Swing clamps pneumatic

Overview of items

Order No.	H	H1	H2	H3	H4	H5	H6	Travel S	L	S1	S2	T	T1	F1 N
K1815.1121	76	105	70	11	51	26	21	16	40	7	9	5	15	30
K1815.1161	76	105	70	11	51	26	21	16	42	7	9	4,5	15	60
K1815.2121	76	105	70	11	51	26	21	16	40	7	9	5	15	30
K1815.2161	76	105	70	11	51	26	21	16	42	7	9	4,5	15	60
K1815.1201	80	125	74	17	44,5	24	22	27	46	12	15	4,5	20	80
K1815.2201	80	125	74	17	44,5	24	22	27	46	12	15	4,5	20	80
K1815.1251	83	125	78	17	44,5	32	-	27	55	15	12	5	20	170
K1815.1321	96	145	90	22	50	43	-	30	60	16	14	6,5	20	270
K1815.1401	96	145	90	20	52	40	-	31	70	16	15	8	25	450
K1815.1501	106	162	100	25	53,5	45	-	30	85	15	15	6,5	30	700
K1815.1631	106	162	100	28	53,5	36	-	30	100	15	15	8,5	30	1100
K1815.2251	83	125	78	17	44,5	32	-	27	55	15	12	5	20	170
K1815.2321	96	145	90	22	50	43	-	30	60	16	14	6,5	20	270
K1815.2401	96	145	90	20	52	40	-	31	70	16	15	8	25	450
K1815.2501	106	162	100	25	53,5	45	-	30	85	15	15	6,5	30	700
K1815.2631	106	162	100	28	53,5	36	-	30	100	15	15	8,5	30	1100