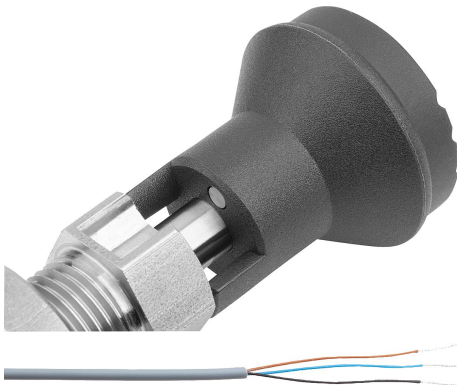
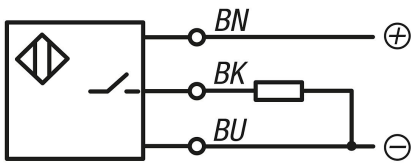


Indexing plungers steel or stainless steel with plastic mushroom grip and status sensor, hardwired

Item description/product images



Description

Product description:

Indexing plungers are used where it is necessary to prevent changes of position due to lateral forces.

Some examples of this are for length, height and position locking in machines, equipment, furniture and special vehicle construction.

With indexing plungers with status sensor, the actuation status can be detected and evaluated electronically. The connection, e.g. to a machine control system, is hard wired via the connection cable of the integrated sensor.

Material:

Steel version:

Grub screw and indexing pin steel.

Stainless steel version:

Indexing pin hardened:

Threaded sleeve 1.4305.

Indexing pin 1.4034.

Indexing pin not hardened:

Threaded sleeve 1.4305.

Indexing pin 1.4305.

Mushroom grip black grey thermoplastic.

Version:

Steel version:

Threaded sleeve, black oxidised.

Indexing pin hardened, ground and black oxidised.

Stainless steel version:

Threaded sleeve, bright.

Indexing pin hardened, ground and bright.

Indexing pin not hardened, ground and bright.

Note:

The status sensor switches when it engages after S - 1 mm travel.

Technical data:

Inductive sensor:

Output circuit: PNP NO

Operating voltage: 6 - 30 V DC

Operating current: <100 mA

Contact gap: 1 mm

Switch frequency: <4000 Hz

Short-circuit proof: yes

Reverse polarity protection: yes

Rating: IP 67

Connection type: 2 m PVC cable

Temperature range: -10 °C - +70 °C

Approvals: CE, c UL us, EAC

Application:

Indexing plungers steel or stainless steel with plastic mushroom grip and status sensor, hardwired

Item description/product images

Indexing plungers with status sensor allow actuation-dependent process control. It is also possible to ensure that the indexing pin is in the desired actuation status.

Safety:

Indexing plungers with status sensor are not suitable for personnel safety functions.

Drawing reference:

Form A: non-lockout type, without locknut

Form B: non-lockout type, with locknut

Form C: lockout type, without locknut

Form D: lockout type, with locknut

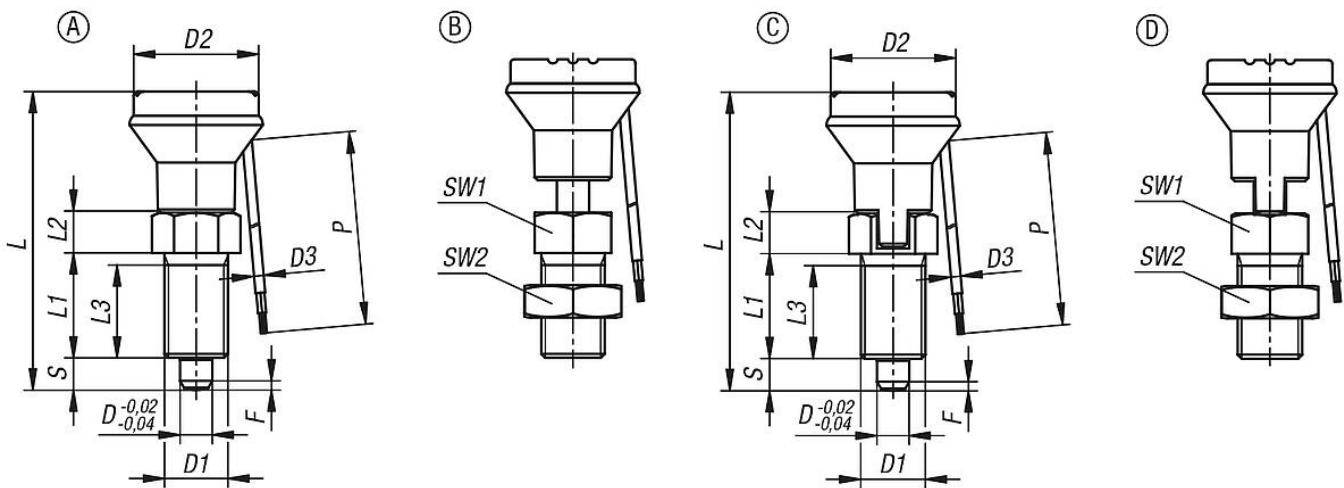
P = cable length

BN = brown

BK = black

BU = blue

Drawings



Overview of items

Indexing plungers steel or stainless steel with status sensor, hardwired

| Order No. | Form | Main material | locating pin | D | D1 | D2 | D3 | L | L1 | L2 | L3 | Travel S | SW1 | SW2 | Fx30° | P | Spring force initial pressure F1 approx. N | Spring force final pressure F2 approx. N |
|--------------|------|-----------------|--------------|----|---------|----|-----|----|----|----|----|----------|-----|-----|-------|------|--|--|
| K1744.11051 | A | steel | hardened | 5 | M10x1 | 25 | 2,4 | 51 | 17 | 7 | 15 | 5 | 13 | - | 1,3 | 2000 | 5 | 12 |
| K1744.12061 | A | steel | hardened | 6 | M12x1,5 | 25 | 2,4 | 56 | 20 | 8 | 17 | 6 | 14 | - | 1,8 | 2000 | 6 | 14 |
| K1744.13081 | A | steel | hardened | 8 | M16x1,5 | 33 | 2,4 | 74 | 26 | 10 | 23 | 8 | 19 | - | 2,3 | 2000 | 15 | 35 |
| K1744.14101 | A | steel | hardened | 10 | M20x1,5 | 33 | 2,4 | 80 | 28 | 12 | 25 | 10 | 22 | - | 2,8 | 2000 | 15 | 34 |
| K1744.14121 | A | steel | hardened | 12 | M20x1,5 | 33 | 2,4 | 84 | 28 | 14 | 25 | 12 | 22 | - | 2,8 | 2000 | 15 | 39 |
| K1744.011051 | A | stainless steel | hardened | 5 | M10x1 | 25 | 2,4 | 51 | 17 | 7 | 15 | 5 | 13 | - | 1,3 | 2000 | 5 | 12 |
| K1744.012061 | A | stainless steel | hardened | 6 | M12x1,5 | 25 | 2,4 | 56 | 20 | 8 | 17 | 6 | 14 | - | 1,8 | 2000 | 6 | 14 |
| K1744.013081 | A | stainless steel | hardened | 8 | M16x1,5 | 33 | 2,4 | 74 | 26 | 10 | 23 | 8 | 19 | - | 2,3 | 2000 | 15 | 35 |
| K1744.014101 | A | stainless steel | hardened | 10 | M20x1,5 | 33 | 2,4 | 80 | 28 | 12 | 25 | 10 | 22 | - | 2,8 | 2000 | 15 | 34 |
| K1744.014121 | A | stainless steel | hardened | 12 | M20x1,5 | 33 | 2,4 | 84 | 28 | 14 | 25 | 12 | 22 | - | 2,8 | 2000 | 15 | 39 |
| K1744.111051 | A | stainless steel | not hardened | 5 | M10x1 | 25 | 2,4 | 51 | 17 | 7 | 15 | 5 | 13 | - | 1,3 | 2000 | 5 | 12 |
| K1744.112061 | A | stainless steel | not hardened | 6 | M12x1,5 | 25 | 2,4 | 56 | 20 | 8 | 17 | 6 | 14 | - | 1,8 | 2000 | 6 | 14 |
| K1744.113081 | A | stainless steel | not hardened | 8 | M16x1,5 | 33 | 2,4 | 74 | 26 | 10 | 23 | 8 | 19 | - | 2,3 | 2000 | 15 | 35 |

Indexing plungers steel or stainless steel with plastic mushroom grip and status sensor, hardwired

Overview of items

| Order No. | Form | Main material | locating pin | D | D1 | D2 | D3 | L | L1 | L2 | L3 | Travel S | SW1 | SW2 | Fx30° | P | Spring force initial pressure F1 approx. N | Spring force final pressure F2 approx. N |
|--------------|------|-----------------|--------------|----|---------|----|-----|----|----|----|----|----------|-----|-----|-------|------|--|--|
| K1744.114101 | A | stainless steel | not hardened | 10 | M20x1,5 | 33 | 2,4 | 80 | 28 | 12 | 25 | 10 | 22 | - | 2,8 | 2000 | 15 | 34 |
| K1744.114121 | A | stainless steel | not hardened | 12 | M20x1,5 | 33 | 2,4 | 84 | 28 | 14 | 25 | 12 | 22 | - | 2,8 | 2000 | 15 | 39 |
| K1744.21051 | B | steel | hardened | 5 | M10x1 | 25 | 2,4 | 51 | 17 | 7 | 15 | 5 | 13 | 17 | 1,3 | 2000 | 5 | 12 |
| K1744.22061 | B | steel | hardened | 6 | M12x1,5 | 25 | 2,4 | 56 | 20 | 8 | 17 | 6 | 14 | 19 | 1,8 | 2000 | 6 | 14 |
| K1744.23081 | B | steel | hardened | 8 | M16x1,5 | 33 | 2,4 | 74 | 26 | 10 | 23 | 8 | 19 | 24 | 2,3 | 2000 | 15 | 35 |
| K1744.24101 | B | steel | hardened | 10 | M20x1,5 | 33 | 2,4 | 80 | 28 | 12 | 25 | 10 | 22 | 30 | 2,8 | 2000 | 15 | 34 |
| K1744.24121 | B | steel | hardened | 12 | M20x1,5 | 33 | 2,4 | 84 | 28 | 14 | 25 | 12 | 22 | 30 | 2,8 | 2000 | 15 | 39 |
| K1744.021051 | B | stainless steel | hardened | 5 | M10x1 | 25 | 2,4 | 51 | 17 | 7 | 15 | 5 | 13 | 17 | 1,3 | 2000 | 5 | 12 |
| K1744.022061 | B | stainless steel | hardened | 6 | M12x1,5 | 25 | 2,4 | 56 | 20 | 8 | 17 | 6 | 14 | 19 | 1,8 | 2000 | 6 | 14 |
| K1744.023081 | B | stainless steel | hardened | 8 | M16x1,5 | 33 | 2,4 | 74 | 26 | 10 | 23 | 8 | 19 | 24 | 2,3 | 2000 | 15 | 35 |
| K1744.024101 | B | stainless steel | hardened | 10 | M20x1,5 | 33 | 2,4 | 80 | 28 | 12 | 25 | 10 | 22 | 30 | 2,8 | 2000 | 15 | 34 |
| K1744.024121 | B | stainless steel | hardened | 12 | M20x1,5 | 33 | 2,4 | 84 | 28 | 14 | 25 | 12 | 22 | 30 | 2,8 | 2000 | 15 | 39 |
| K1744.121051 | B | stainless steel | not hardened | 5 | M10x1 | 25 | 2,4 | 51 | 17 | 7 | 15 | 5 | 13 | 17 | 1,3 | 2000 | 5 | 12 |
| K1744.122061 | B | stainless steel | not hardened | 6 | M12x1,5 | 25 | 2,4 | 56 | 20 | 8 | 17 | 6 | 14 | 19 | 1,8 | 2000 | 6 | 14 |
| K1744.123081 | B | stainless steel | not hardened | 8 | M16x1,5 | 33 | 2,4 | 74 | 26 | 10 | 23 | 8 | 19 | 24 | 2,3 | 2000 | 15 | 35 |
| K1744.124101 | B | stainless steel | not hardened | 10 | M20x1,5 | 33 | 2,4 | 80 | 28 | 12 | 25 | 10 | 22 | 30 | 2,8 | 2000 | 15 | 34 |
| K1744.124121 | B | stainless steel | not hardened | 12 | M20x1,5 | 33 | 2,4 | 84 | 28 | 14 | 25 | 12 | 22 | 30 | 2,8 | 2000 | 15 | 39 |
| K1744.31051 | C | steel | hardened | 5 | M10x1 | 25 | 2,4 | 51 | 17 | 7 | 15 | 5 | 13 | - | 1,3 | 2000 | 5 | 12 |
| K1744.32061 | C | steel | hardened | 6 | M12x1,5 | 25 | 2,4 | 56 | 20 | 8 | 17 | 6 | 14 | - | 1,8 | 2000 | 6 | 14 |
| K1744.33081 | C | steel | hardened | 8 | M16x1,5 | 33 | 2,4 | 74 | 26 | 10 | 23 | 8 | 19 | - | 2,3 | 2000 | 15 | 35 |
| K1744.34101 | C | steel | hardened | 10 | M20x1,5 | 33 | 2,4 | 80 | 28 | 12 | 25 | 10 | 22 | - | 2,8 | 2000 | 15 | 34 |
| K1744.34121 | C | steel | hardened | 12 | M20x1,5 | 33 | 2,4 | 84 | 28 | 14 | 25 | 12 | 22 | - | 2,8 | 2000 | 15 | 39 |
| K1744.031051 | C | stainless steel | hardened | 5 | M10x1 | 25 | 2,4 | 51 | 17 | 7 | 15 | 5 | 13 | - | 1,3 | 2000 | 5 | 12 |
| K1744.032061 | C | stainless steel | hardened | 6 | M12x1,5 | 25 | 2,4 | 56 | 20 | 8 | 17 | 6 | 14 | - | 1,8 | 2000 | 6 | 14 |
| K1744.033081 | C | stainless steel | hardened | 8 | M16x1,5 | 33 | 2,4 | 74 | 26 | 10 | 23 | 8 | 19 | - | 2,3 | 2000 | 15 | 35 |
| K1744.034101 | C | stainless steel | hardened | 10 | M20x1,5 | 33 | 2,4 | 80 | 28 | 12 | 25 | 10 | 22 | - | 2,8 | 2000 | 15 | 34 |
| K1744.034121 | C | stainless steel | hardened | 12 | M20x1,5 | 33 | 2,4 | 84 | 28 | 14 | 25 | 12 | 22 | - | 2,8 | 2000 | 15 | 39 |
| K1744.132061 | C | stainless steel | not hardened | 6 | M12x1,5 | 25 | 2,4 | 56 | 20 | 8 | 17 | 6 | 14 | - | 1,8 | 2000 | 6 | 14 |
| K1744.131051 | C | stainless steel | not hardened | 5 | M10x1 | 25 | 2,4 | 51 | 17 | 7 | 15 | 5 | 13 | - | 1,3 | 2000 | 5 | 12 |
| K1744.133081 | C | stainless steel | not hardened | 8 | M16x1,5 | 33 | 2,4 | 74 | 26 | 10 | 23 | 8 | 19 | - | 2,3 | 2000 | 15 | 35 |
| K1744.134101 | C | stainless steel | not hardened | 10 | M20x1,5 | 33 | 2,4 | 80 | 28 | 12 | 25 | 10 | 22 | - | 2,8 | 2000 | 15 | 34 |
| K1744.134121 | C | stainless steel | not hardened | 12 | M20x1,5 | 33 | 2,4 | 84 | 28 | 14 | 25 | 12 | 22 | - | 2,8 | 2000 | 15 | 39 |
| K1744.41051 | D | steel | hardened | 5 | M10x1 | 25 | 2,4 | 51 | 17 | 7 | 15 | 5 | 13 | 17 | 1,3 | 2000 | 5 | 12 |
| K1744.42061 | D | steel | hardened | 6 | M12x1,5 | 25 | 2,4 | 56 | 20 | 8 | 17 | 6 | 14 | 19 | 1,8 | 2000 | 6 | 14 |
| K1744.43081 | D | steel | hardened | 8 | M16x1,5 | 33 | 2,4 | 74 | 26 | 10 | 23 | 8 | 19 | 24 | 2,3 | 2000 | 15 | 35 |
| K1744.44101 | D | steel | hardened | 10 | M20x1,5 | 33 | 2,4 | 80 | 28 | 12 | 25 | 10 | 22 | 30 | 2,8 | 2000 | 15 | 34 |
| K1744.44121 | D | steel | hardened | 12 | M20x1,5 | 33 | 2,4 | 84 | 28 | 14 | 25 | 12 | 22 | 30 | 2,8 | 2000 | 15 | 39 |
| K1744.041051 | D | stainless steel | hardened | 5 | M10x1 | 25 | 2,4 | 51 | 17 | 7 | 15 | 5 | 13 | 17 | 1,3 | 2000 | 5 | 12 |
| K1744.042061 | D | stainless steel | hardened | 6 | M12x1,5 | 25 | 2,4 | 56 | 20 | 8 | 17 | 6 | 14 | 19 | 1,8 | 2000 | 6 | 14 |
| K1744.043081 | D | stainless steel | hardened | 8 | M16x1,5 | 33 | 2,4 | 74 | 26 | 10 | 23 | 8 | 19 | 24 | 2,3 | 2000 | 15 | 35 |
| K1744.044101 | D | stainless steel | hardened | 10 | M20x1,5 | 33 | 2,4 | 80 | 28 | 12 | 25 | 10 | 22 | 30 | 2,8 | 2000 | 15 | 34 |
| K1744.044121 | D | stainless steel | hardened | 12 | M20x1,5 | 33 | 2,4 | 84 | 28 | 14 | 25 | 12 | 22 | 30 | 2,8 | 2000 | 15 | 39 |
| K1744.142061 | D | stainless steel | not hardened | 6 | M12x1,5 | 25 | 2,4 | 56 | 20 | 8 | 17 | 6 | 14 | 19 | 1,8 | 2000 | 6 | 14 |
| K1744.141051 | D | stainless steel | not hardened | 5 | M10x1 | 25 | 2,4 | 51 | 17 | 7 | 15 | 5 | 13 | 17 | 1,3 | 2000 | 5 | 12 |
| K1744.143081 | D | stainless steel | not hardened | 8 | M16x1,5 | 33 | 2,4 | 74 | 26 | 10 | 23 | 8 | 19 | 24 | 2,3 | 2000 | 15 | 35 |
| K1744.144101 | D | stainless steel | not hardened | 10 | M20x1,5 | 33 | 2,4 | 80 | 28 | 12 | 25 | 10 | 22 | 30 | 2,8 | 2000 | 15 | 34 |
| K1744.144121 | D | stainless steel | not hardened | 12 | M20x1,5 | 33 | 2,4 | 84 | 28 | 14 | 25 | 12 | 22 | 30 | 2,8 | 2000 | 15 | 39 |