

Locating bushes stainless steel for locating cylinder, pneumatic

Item description/product images



Description

Material:
Stainless steel

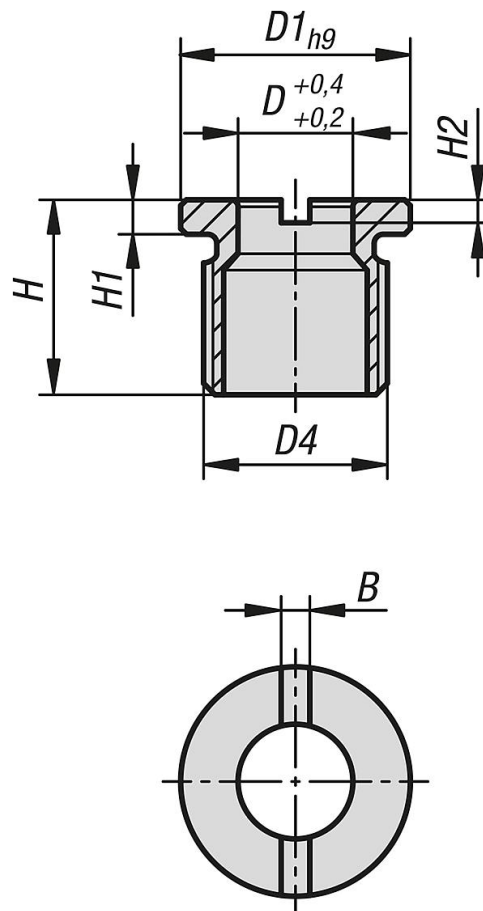
Version:
Hardened.

Note:
Mounting dimensions Form A:
Mounting with nut, max. plate thickness 10 mm.
Mounting dimensions Form B:
Screwed in, for plate thicknesses over 10 mm or in a blind hole.
Colour may differ from the image due to the hardening process.

On request:
Suitable nuts and assembly tool.

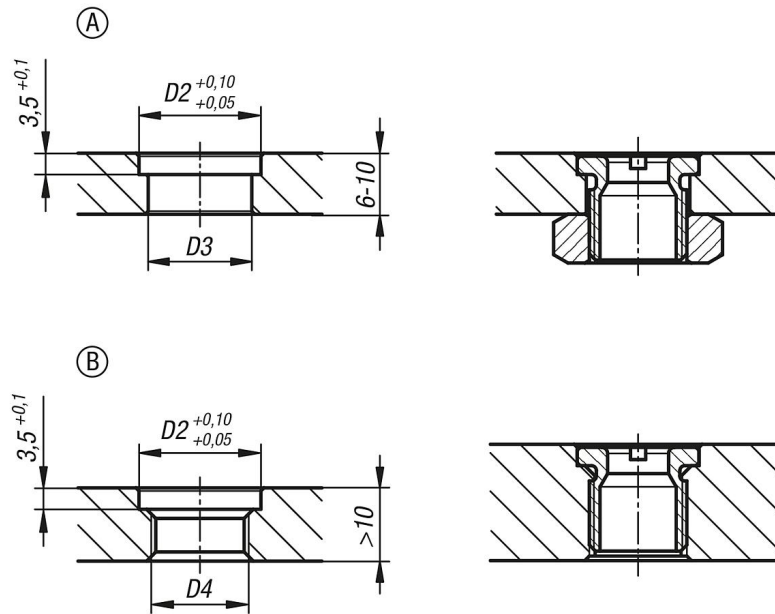
Accessory:
K1738 Locating cylinder stainless steel, pneumatic

Drawings



Locating bushes stainless steel for locating cylinder, pneumatic

Drawings



Overview of items

Locating bushes stainless steel for locating cylinder, pneumatic

Order No.	B	D	D1	D2	D3	D4	H	H1	H2
K1739.101	2,5	10	20	20	17	M16x1,5	17	3	2