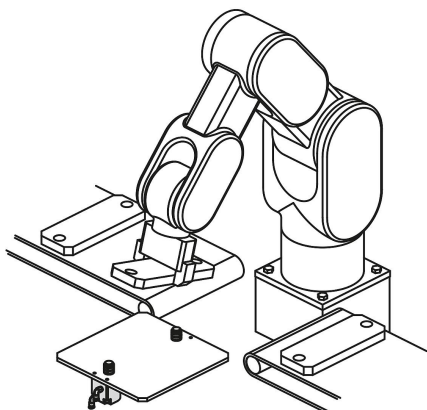
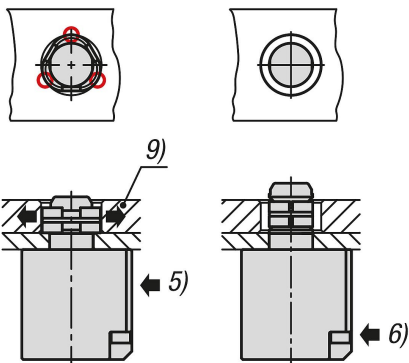


Centring clamp stainless steel pneumatic

Item description/product images



Description

Product description:

Workpieces are clamped and released by compressed air.
The possible clamping diameter is from 16 to 20 mm.

Material:

Body, stainless steel.
Seal, NBR.

Version:

Stainless steel bright.

Note for ordering:

Cylinder head screws M4X35 for fastening from below are included with delivery.
Cylinder head screws with low head M5 for fastening from above are not included with delivery.

Note:

Installed dimensions for plate thickness 6 mm.

The stated retaining forces are related to an operating pressure of 0.5 Mpa and a surface quality of Ra 1.6 µm.

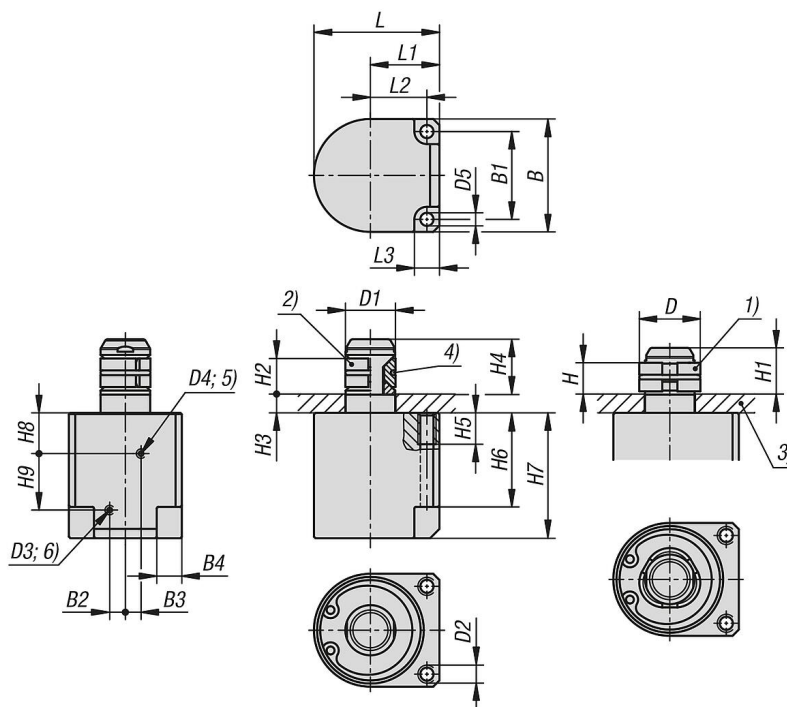
Repeat accuracy in this case is ±0.2 mm.

Drawing reference:

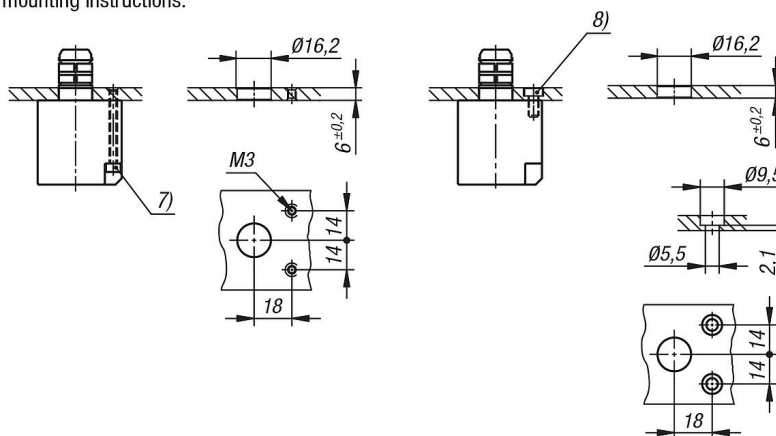
- 1) "Clamping" position
- 2) "Release" position
- 3) Mounting plate
- 4) O-ring
- 5) "Clamping" connection
- 6) "Release" connection
- 7) Cylinder head screw M4
- 8) Cylinder screw with low head M5
- 9) Workpiece

Centring clamp stainless steel pneumatic

Drawings



mounting instructions:



Overview of items

Centring clamp stainless steel, pneumatic

Order No.	B	B1	B2	B3	B4	D	D1	D2	D3	D4	D5	H	H1	H2
K1742.16	36	28	5	5	7,5	20	16	M5	M3	M3	4,2	10	14,7	11,3

Order No.	H3	H4	H5	H6	H7	H8	H9	L	L1	L2	L3	Holding force N	Operating pressure MPa
K1742.16	6	17,5	10	30	40	13	18	40	22	18	8	77	0,3 - 0,7

