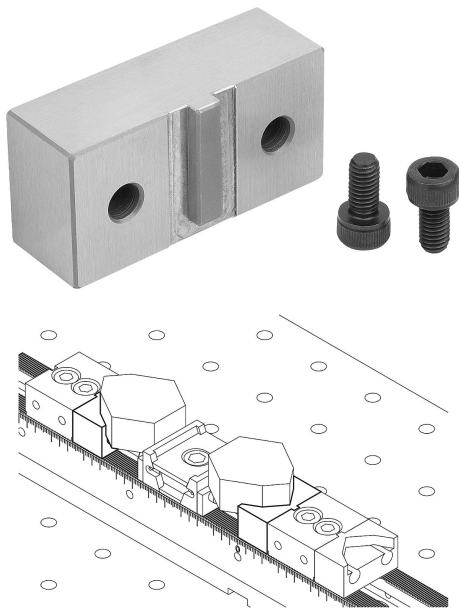


Attachment jaws machinable for fixed jaws DS and ES

Item description/product images



Description

Material:
Tool steel.

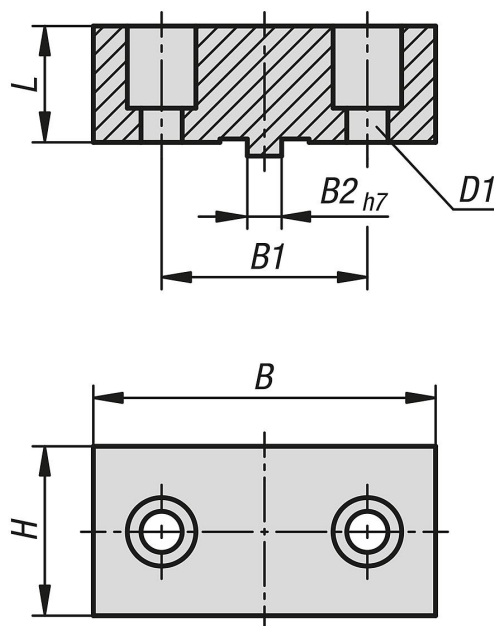
Version:
tempered (HRC32).

Note:
Attachment jaws are used to incorporate customer-specific workpiece contours.

Application:
The attachment jaws are screwed onto the ES and DS fixed stops.

Advantages:
Machined attachment jaws can be re-used for later series productions.

Drawings



Overview of items

Machinable attachment jaws for DS and ES fixed jaws

Order No.	suitable for system width	L	B	H	B1	B2	D1 for screw to DIN 912
K1753.05017	50	17	50	25	30	5	M5
K1753.05027	50	27	80	25	30	5	M5

