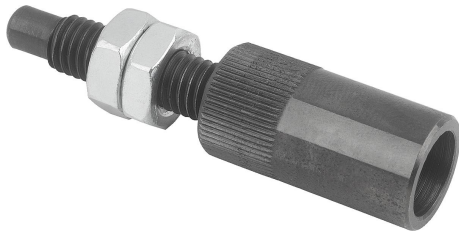


Assembly tool for lateral spring plungers with plastic spring

Item description/product images



Description

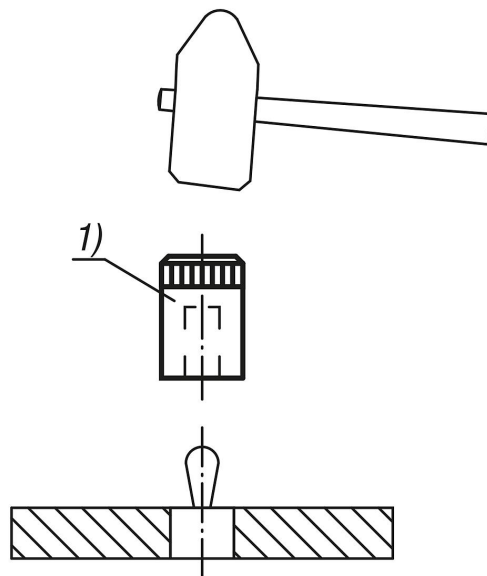
Material:
Steel.

Version:
Black oxidised.

Note:
Lateral spring plungers with plastic pins can be fitted easily using the assembly tool.

Drawing reference:
1) assembly tool

Drawings



Overview of items

Assembly tool for lateral spring plungers with plastic spring

Order No.	Suitable for lateral spring plungers with D =
K1733.03	6
K1733.04	8
K1733.05	10
K1733.08	12
K1733.10	16