

Lateral spring plungers with plastic spring, POM thrust pin

Item description/product images



Description

Material:

Sleeve and spring plastic.
Thrust pin POM.

Version:

Thrust pin white.

Note:

Lateral spring plungers are used for positioning, holding and fastening workpieces in applications where there is increased presence of dirt.

For example: painting and sandblasting.

Calculation dimension X:

$Y \geq L1 - D1/2$, therefore $X = D1/2 - S$

$Y < L1 - D1/2$, therefore $X = D1/2 - S - ((L1 - D1/2 - Y) * 0,123)$

Light spring force = blue spring

Standard spring force = red spring

Strong spring force = green spring

Assembly:

The sleeve is pressed into the hole.

It is recommended to moisten the sleeve before assembly.

Drawing reference:

1) Assembly tool

2) Some sizes have a different pin form

Y = workpiece height

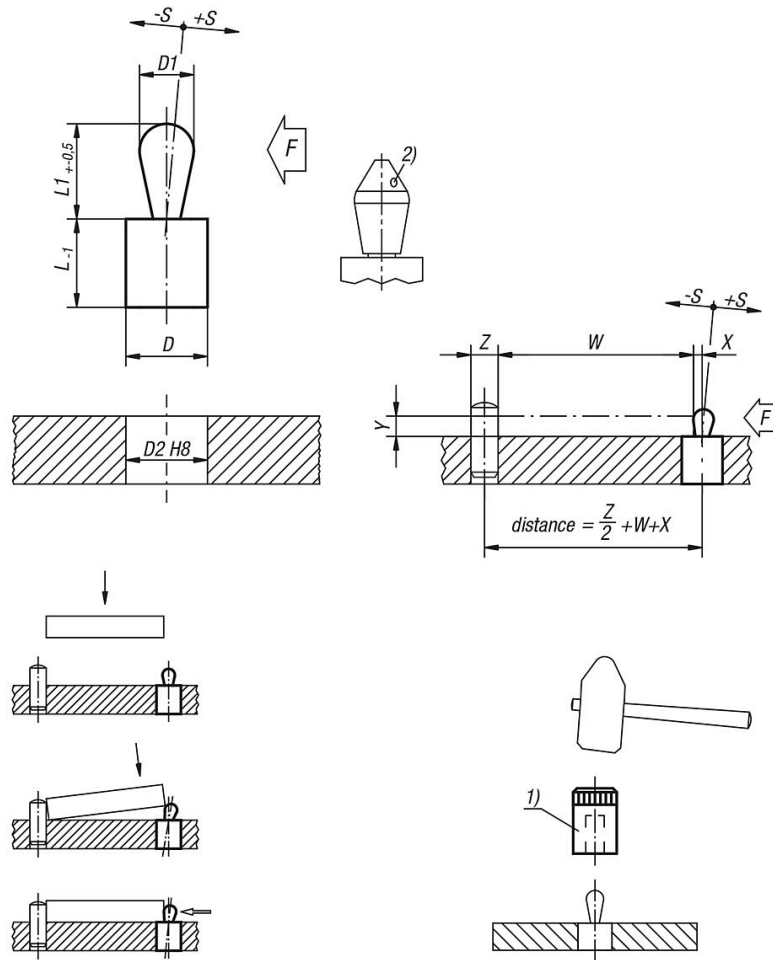
W = workpiece length

X = coordinate dimension

Z = stop diameter

Lateral spring plungers with plastic spring, POM thrust pin

Drawings



Overview of items

Order No.	Version 1	Version 2	D	D1	D2	L	L1	±S	F ca.N	Order No. assembly tool
K1733.120307	light spring force	different pin form	6	3	5,9	7	3,7	0,4	10	K1733.03
K1733.120409	light spring force	-	8	4	7,9	9	5,2	0,6	15	K1733.04
K1733.120509	light spring force	-	10	5	9,9	9	7,3	0,8	30	K1733.05
K1733.120609	light spring force	-	10	6	9,9	9	10,3	1	20	K1733.05
K1733.220307	standard spring force	different pin form	6	3	5,9	7	3,7	0,4	20	K1733.03
K1733.220409	standard spring force	-	8	4	7,9	9	5,2	0,6	30	K1733.04
K1733.220509	standard spring force	-	10	5	9,9	9	7,3	0,8	60	K1733.05
K1733.220609	standard spring force	-	10	6	9,9	9	10,3	1	30	K1733.05
K1733.220813	standard spring force	-	12	8	11,9	13	13,3	1,2	50	K1733.08
K1733.221016	standard spring force	-	16	10	15,9	16	16,9	1,6	80	K1733.10
K1733.320509	intensified spring force	-	10	5	9,9	9	7,3	0,8	90	K1733.05
K1733.320609	intensified spring force	-	10	6	9,9	9	10,3	1	60	K1733.05
K1733.320813	intensified spring force	-	12	8	11,9	13	13,3	1,2	100	K1733.08
K1733.321016	intensified spring force	-	16	10	15,9	16	16,9	1,6	160	K1733.10

Lateral spring plungers with plastic spring, POM thrust pin

Overview of items
