

Swivel and fixed castors standard version

Item description/product images



Description

Material:

Housing steel plate.

Wheels PA 6.

Version:

Housing press formed.

Double ball bearing with ball shield in the castor head.

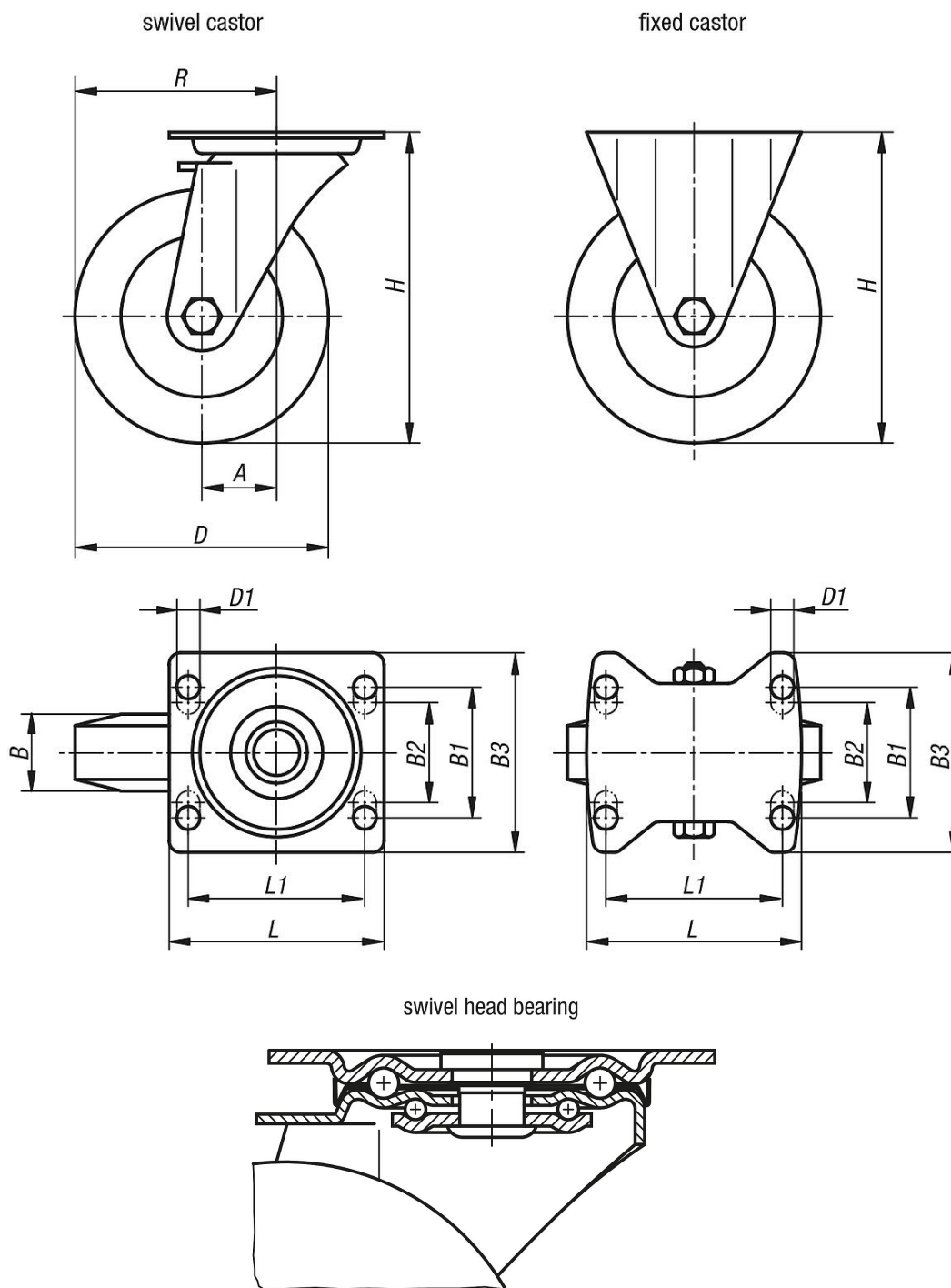
Plain bearings in the wheels.

Note:

The PA 6 wheels have a low rolling resistance, are non-corroding, resist abrasion and are particularly shock and impact proof.

Swivel and fixed castors standard version

Drawings



Overview of items

Swivel and fixed castors standard version

Order No.	Item	Version 1	Wheel bearing	A	B	B1	B2	B3	D	D1	H	L	L1	R	Permissible load kg
K1770.075321	Fixed castor	without locking system	plain bearing	-	32	60	-	85	75	9	98	100	80	-	200
K1770.100371	Fixed castor	without locking system	plain bearing	-	37	60	-	85	100	9	125	100	80	-	200
K1770.125401	Fixed castor	without locking system	plain bearing	-	40	60	-	85	125	9	150	100	80	-	200

Swivel and fixed castors standard version

Overview of items

Order No.	Item	Version 1	Wheel bearing	A	B	B1	B2	B3	D	D1	H	L	L1	R	Permissible load kg
K1770.150501	Fixed castor	without locking system	plain bearing	-	50	80	75	110	150	11	190	140	105	-	400
K1770.07532	Swivel castor	without locking system	plain bearing	35	32	60	-	85	75	9	98	100	80	72,5	200
K1770.10037	Swivel castor	without locking system	plain bearing	35	37	60	-	85	100	9	125	100	80	85	200
K1770.12540	Swivel castor	without locking system	plain bearing	40	40	60	-	85	125	9	150	100	80	102,5	200
K1770.15050	Swivel castor	without locking system	plain bearing	60	50	80	75	110	150	11	190	140	105	135	400
K1770.075322	Swivel castor	with stop-fix locking system	plain bearing	35	32	60	-	85	75	9	98	100	80	72,5	200
K1770.100372	Swivel castor	with stop-fix locking system	plain bearing	35	37	60	-	85	100	9	125	100	80	85	200
K1770.125402	Swivel castor	with stop-fix locking system	plain bearing	40	40	60	-	85	125	9	150	100	80	102,5	200
K1770.150502	Swivel castor	with stop-fix locking system	plain bearing	60	50	80	75	110	150	11	190	140	105	135	400