

Clamping pin stainless steel

Item description/product images



Description

Material:

Stainless steel

Version:

Hardened.

Note:

Colour may differ from image due to curing process.

Type of operation:

Screw the clamping pin into the thread and tighten. See assembly drawing.

Accessory:

Locating fixture round K1740.

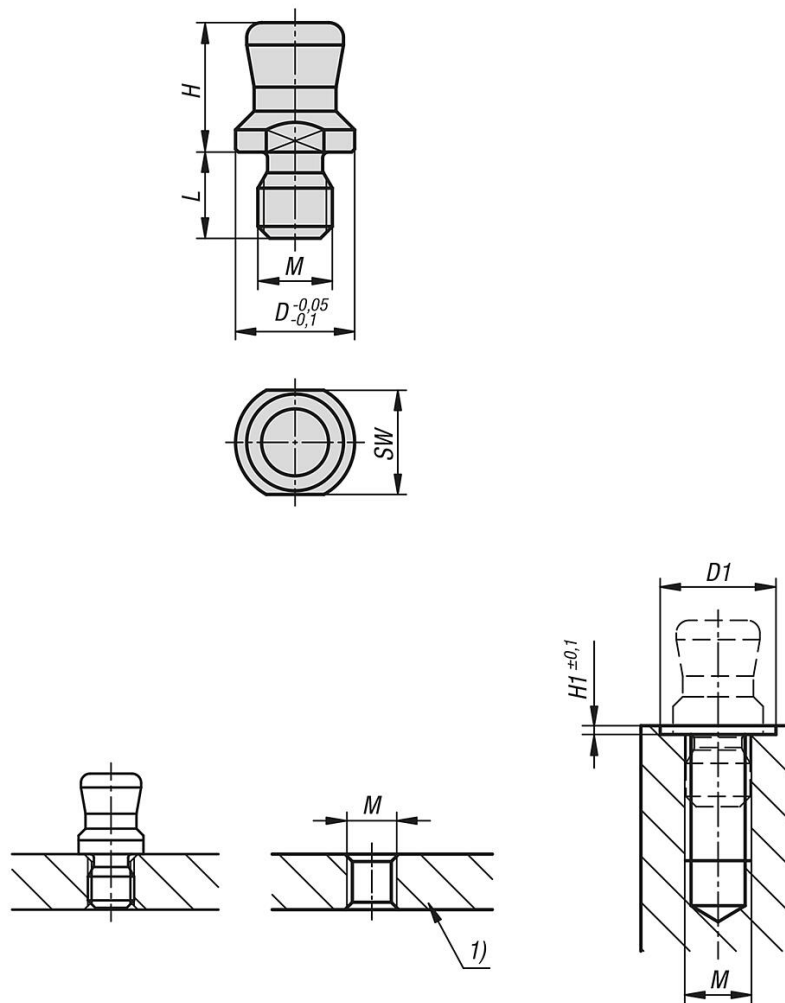
Locating fixture flange K1741.

Drawing reference:

1) plate

Clamping pin stainless steel

Drawings



Overview of items

Clamping pin stainless steel

Order No.	D	D1	H	H1	L	M	SW
K1564.16	6	7	7,6	0,5	5,8	M04X0,7	5
K1564.18	8	9	8,7	0,5	5,8	M05X0,8	7