

Clamping levers, die-cast zinc with external thread, threaded insert blue passivated steel

Item description/product images



Description

Material:

Handle die-cast zinc DIN EN 12844.

Steel parts grade 5.8.

Version:

Handle powder-coated.

Steel parts trivalent blue-passivated.

Note:

Standard colours are:

orange RAL 2004, silver metallic.

Where $L \geq 60$ mm the thread length is 60 mm.

On request:

Other threads, colours and special versions.

Dimension "H1" available in other lengths at extra charge.

Drawing reference:

1) flat point DIN EN ISO 4753

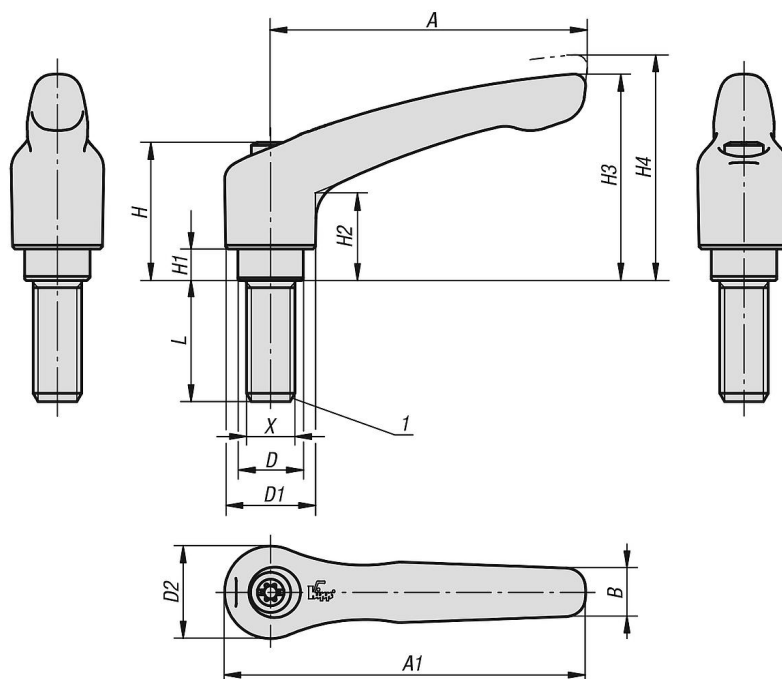
Clamping levers, die-cast zinc with external thread, threaded insert blue passivated steel

Item description/product images

lift to disengage



Drawings



Overview of items

Clamping levers with male thread

Order No.	Main colour	Surface finish body	Size	X	D	D1	D2	H	H1	H2	H3	H4	A	A1	B	No. of teeth	L
K1659.0042X10	orange RAL 2004	plastic-coated	0	M4	10	13	14	24,5	4	14,5	30	33	30	37	7	16	10
K1659.0042X15	orange RAL 2004	plastic-coated	0	M4	10	13	14	24,5	4	14,5	30	33	30	37	7	16	15
K1659.0042X20	orange RAL 2004	plastic-coated	0	M4	10	13	14	24,5	4	14,5	30	33	30	37	7	16	20
K1659.0042X25	orange RAL 2004	plastic-coated	0	M4	10	13	14	24,5	4	14,5	30	33	30	37	7	16	25
K1659.0042X30	orange RAL 2004	plastic-coated	0	M4	10	13	14	24,5	4	14,5	30	33	30	37	7	16	30
K1659.0042X35	orange RAL 2004	plastic-coated	0	M4	10	13	14	24,5	4	14,5	30	33	30	37	7	16	35

Clamping levers, die-cast zinc with external thread, threaded insert blue passivated steel

Overview of items

Order No.	Main colour	Surface finish body	Size	X	D	D1	D2	H	H1	H2	H3	H4	A	A1	B	No. of teeth	L
K1659.5163X30	silver metallic	plastic-coated	5	M16	23	31	32	49	12	31,10	73	77,10	110	126	15	26	30
K1659.5163X35	silver metallic	plastic-coated	5	M16	23	31	32	49	12	31,10	73	77,10	110	126	15	26	35
K1659.5163X40	silver metallic	plastic-coated	5	M16	23	31	32	49	12	31,10	73	77,10	110	126	15	26	40
K1659.5163X45	silver metallic	plastic-coated	5	M16	23	31	32	49	12	31,10	73	77,10	110	126	15	26	45
K1659.5163X50	silver metallic	plastic-coated	5	M16	23	31	32	49	12	31,10	73	77,10	110	126	15	26	50
K1659.5163X55	silver metallic	plastic-coated	5	M16	23	31	32	49	12	31,10	73	77,10	110	126	15	26	55
K1659.5163X60	silver metallic	plastic-coated	5	M16	23	31	32	49	12	31,10	73	77,10	110	126	15	26	60
K1659.5163X70	silver metallic	plastic-coated	5	M16	23	31	32	49	12	31,10	73	77,10	110	126	15	26	70
K1659.5163X80	silver metallic	plastic-coated	5	M16	23	31	32	49	12	31,10	73	77,10	110	126	15	26	80
K1659.5163X90	silver metallic	plastic-coated	5	M16	23	31	32	49	12	31,10	73	77,10	110	126	15	26	90