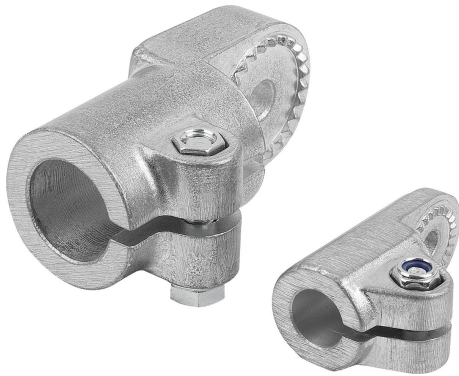


## Tube clamps swivel half aluminium, with raised teeth

### Item description/product images



### Description

#### Material:

Cast aluminium.  
Screws and nuts steel.

#### Version:

Vibratory ground.  
Screws and nuts electro zinc-plated.

#### Note:

Swivel half clamps with raised teeth can be combined with swivel half clamps with sunken teeth (K0484, K0486 or K0487) to make a complete swivel clamp.

Max. torque when tightening the lock screw:

M6: 10 Nm.  
M8: 25 Nm.  
M10: 50 Nm.

#### On request:

Clamping levers for tightening.

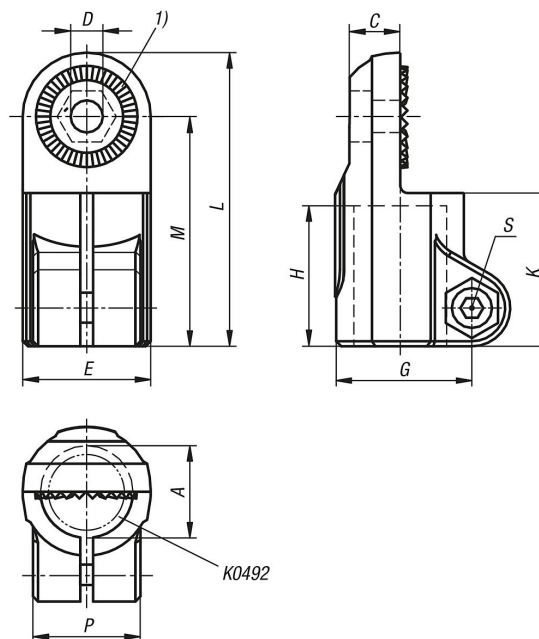
#### Accessory:

- Hex nut DIN 985
- Hex head bolt DIN 933
- Cap screw DIN 6912

#### Drawing reference:

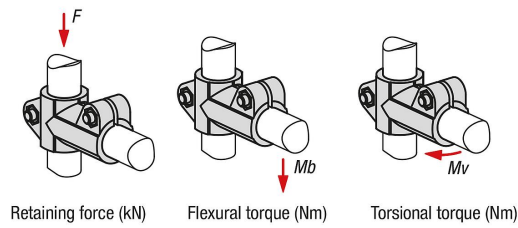
- 1) 15° toothing

### Drawings



# Tube clamps swivel half aluminium, with raised teeth

## Drawings



## Overview of items

### Tube clamps swivel half, aluminium, with raised teeth

Order No.	A	C	D	E	G	H	K	L	M	P	S	F kN	Mb (Nm)	Mv (Nm)
K0485.512	12,1	10,5	7,5	26	29,4	25	30	57	44	21	M6	3,6	28	9
K0485.514	14,1	10,5	7,5	26	29,4	25	30	57	44	21	M6	3,6	28	9
K0485.516	16,1	10,5	7,5	26	29,4	25	30	57	44	21	M6	3,6	28	9
K0485.518	18,1	10,5	7,5	26	29,4	25	30	57	44	21	M6	3,6	28	9
K0485.520	20	16	9	40	40	45	50	93	73	33	M8	4,9	91	94
K0485.525	25,1	16	9	40	40	45	50	93	73	33	M8	4,9	91	94
K0485.530	30,1	16	9	40	40	45	50	93	73	33	M8	4,9	91	94
K0485.540	40,2	22	11	56	56	60	68	128	100	48	M10	6	267	181