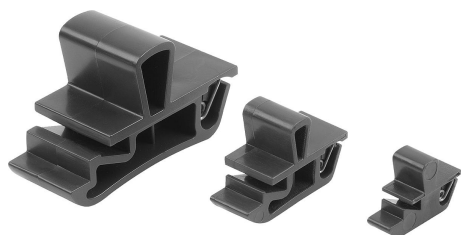
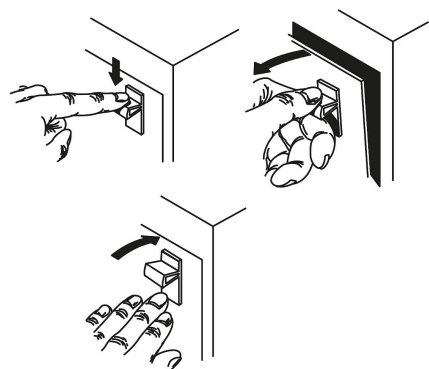
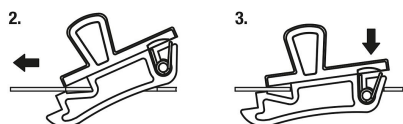
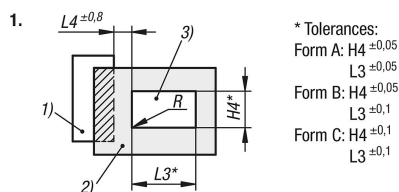


# Snap locks, snap-in, plastic with grip

## Item description/product images



### Assembly:



## Description

### Material:

Lock PC/ABS.

Spring: stainless steel 1.4310.

### Version:

Lock black.

Spring bright.

### Note:

Snap locks are designed for installation in doors, hatches and covers.  
Available in different sizes for different door leaf thicknesses.

Flammability: listed UL94-HB.

### Type of operation:

When the grip is pressed down, the latch retracts and the door can be opened. When the door is pushed to, a spring automatically latches it shut.

### Application:

- Automobile industry
- Medical technology
- Machine construction
- Equipment construction
- Industrial control cabinets

### Assembly:

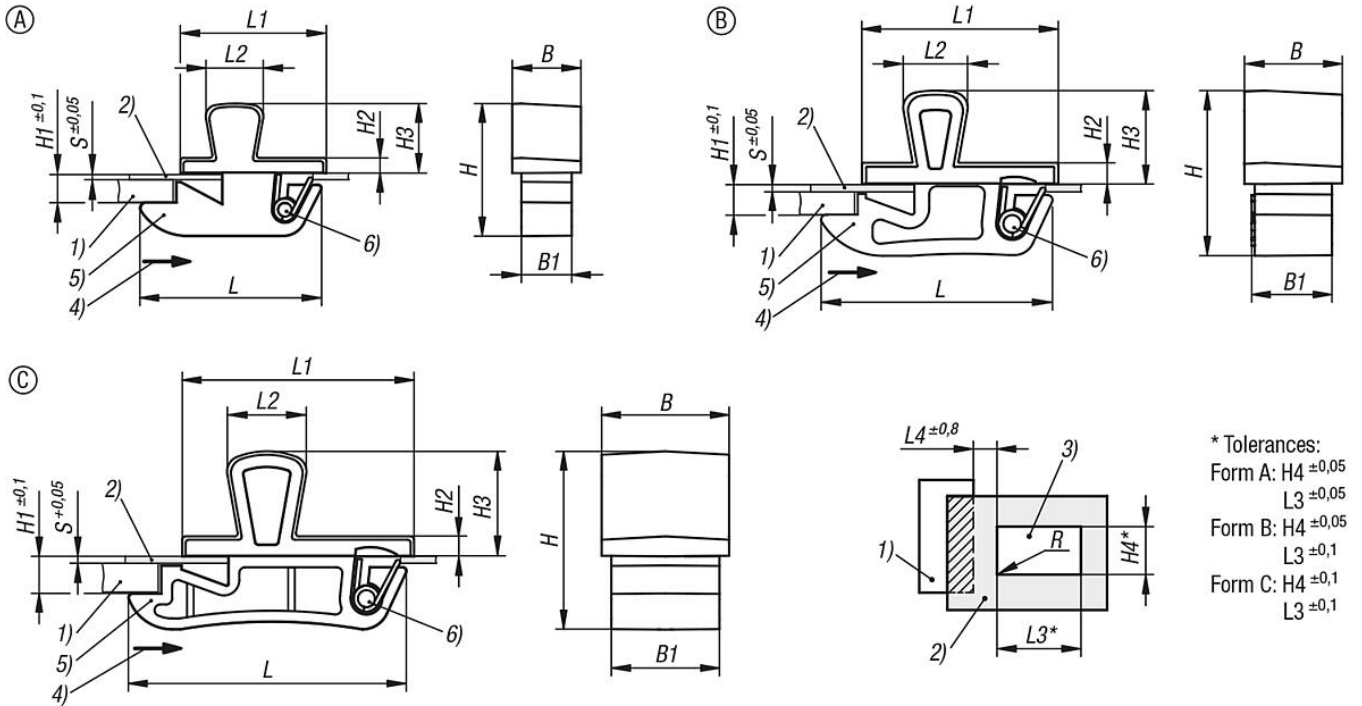
1. Produce a burr-free mounting cutout as shown in the drawing.
2. Insert the lock into the cutout from the front and push forwards.
3. Press the lock down to clip in.

### Drawing reference:

- 1) Frame
- 2) Door leaf
- 3) Mounting cutout
- 4) Actuation direction
- 5) Lock
- 6) Spring

## Snap locks, snap-in, plastic with grip

### Drawings



### Overview of items

#### Snap locks, snap-in, plastic, with grip

Order No.	Form	B	B1	H	H1 = Total holding area	H2	H3	H4	L	L1	L2	L3	L4	R	Max. operating load in N	Temperature range °C	S = Door thickness in mm
K1652.211060	A	6	4,4	11,6	2,2	1,3	6,1	4,57	15,9	12,75	5	8,33	4,8	max. 0,1	25	-40 to 60	0,6
K1652.215090	B	9,5	7,8	15,5	2,65	2,1	9,1	8,2	22,5	19,05	6,3	12,7	6,4	max. 0,1	90	-40 to 60	0,8
K1652.222160	C	16,5	14	23,1	4,5	2,6	13,6	14,3	36	30	10,3	22,2	9,5	max. 0,1	130	-40 to 60	1