

## Cup holder plastic for aluminium profiles, closed or open

### Item description/product images



### Description

**Material:**

Cup holders PA, fibreglass reinforced.

**Note:**

The cup holders are fastened to the aluminium profile (type I and type B) using an M5 countersunk screw (K0708) and a slot key (K1026 or K1023).

**Supplied with:**

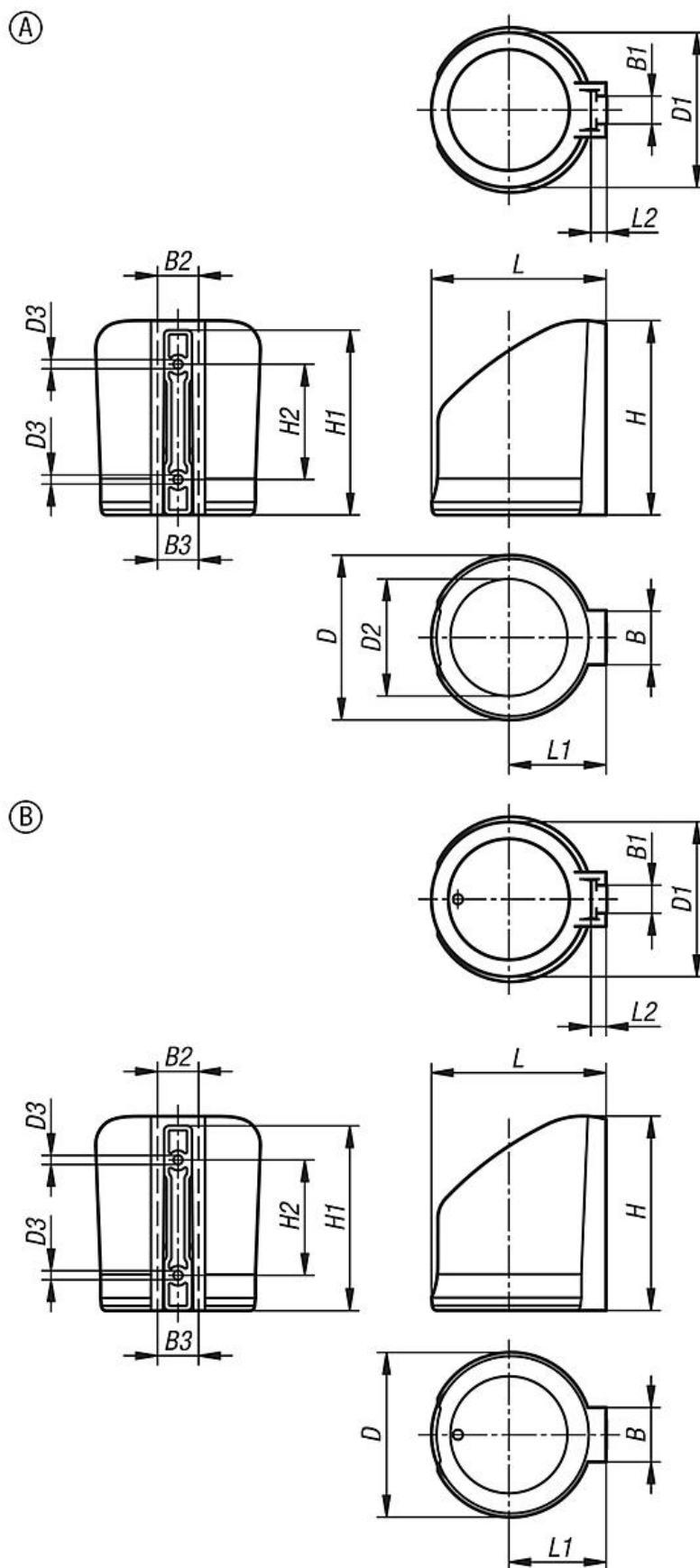
1x cup holder.

1x mounting.



Cup holder plastic for aluminium profiles, closed or open

Drawings



## Cup holder plastic for aluminium profiles, closed or open

### Overview of items

---

#### Cup holder plastic for aluminium profiles, closed or open

| Order No.       | Version 1 | B  | B1 | B2   | B3 | D   | D1 | D2 | D3  | H   | H1  | H2 | L   | L1 | L2  |
|-----------------|-----------|----|----|------|----|-----|----|----|-----|-----|-----|----|-----|----|-----|
| <b>K1632.00</b> | open      | 33 | 17 | 25,5 | 23 | 100 | 93 | 71 | 5,5 | 118 | 112 | 70 | 106 | 59 | 9,3 |
| <b>K1632.10</b> | closed    | 33 | 17 | 25,5 | 23 | 100 | 93 | -  | 5,5 | 118 | 112 | 70 | 106 | 59 | 9,3 |