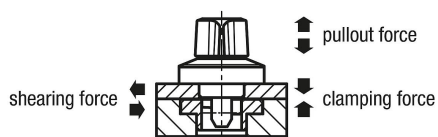


## Quarter-turn clamp locks stainless steel, rotary knob stainless steel

### Item description/product images



### Description

#### Product description:

Quarter-turn clamp locks are used for replacing and locking fixtures or hatches quickly and easily.

Toolless clamping shortens setup times.

#### Material:

Housing stainless steel.

Pin stainless steel.

Pin stainless steel.

Knob stainless steel.

#### Version:

Housing bright.

Pin bright.

Pin bright.

Knob stainless steel, bright.

#### Note:

Stainless steel fastening screws M2 or M3 are included.

Mounting option 1 for plate thickness 6 mm.

Mounting option 2 for plate thickness > 6 to 14 mm.

#### Type of operation:

Check that the rotary knob is in the "OFF" position and that the pin is retracted.

Push or place the quarter-turn clamp lock over the premounted clamping plate.

Press the rotary knob down and turn to the "ON" position.

When fully clamped, a click sound is heard.

#### Accessory:

Clamping plates K1062

#### Drawing reference:

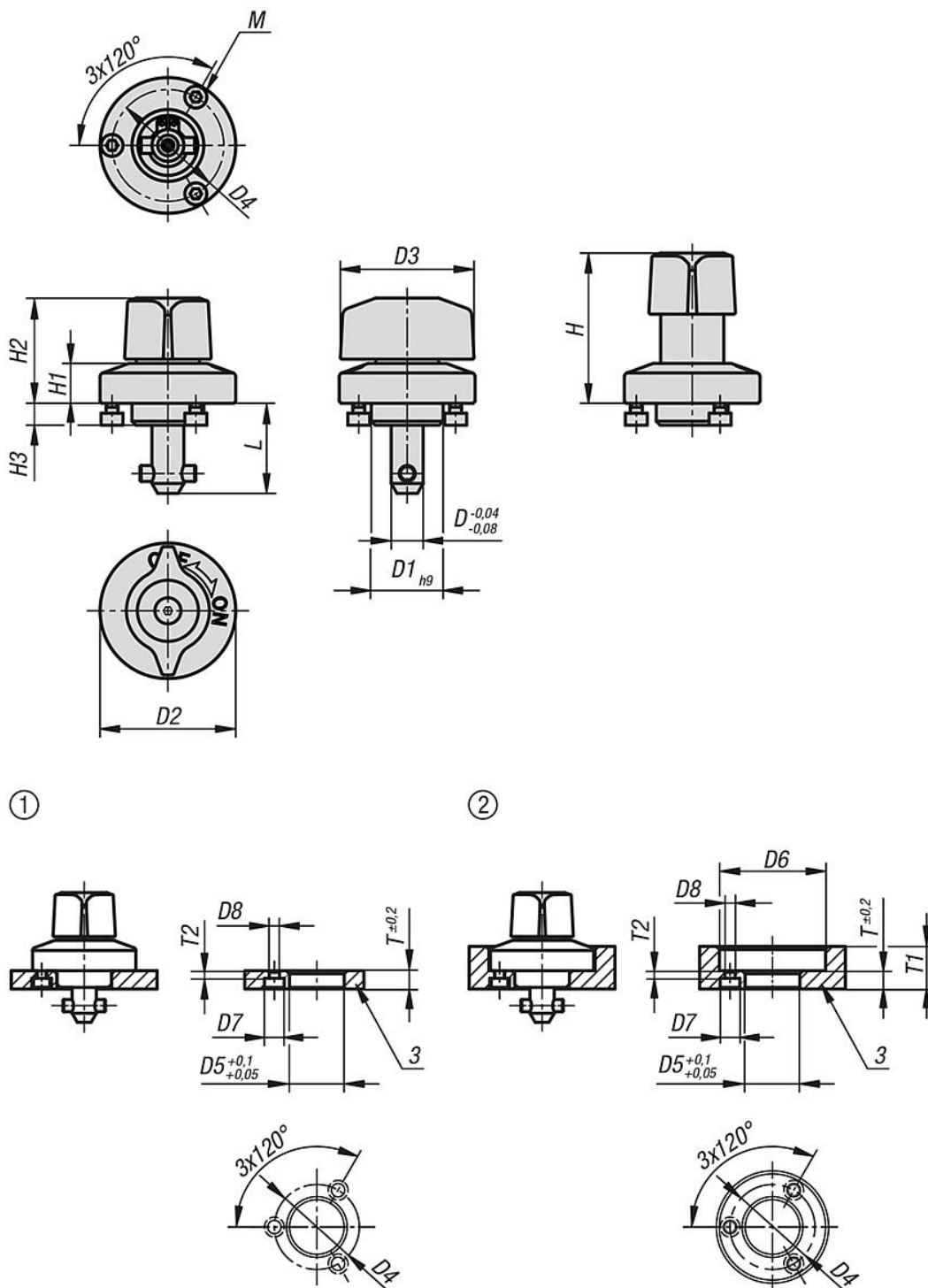
1) Mounting option 1

2) Mounting option 2

3) Plate

Quarter-turn clamp locks stainless steel, rotary knob stainless steel

Drawings



Overview of items

Order No.	Component material	Version 2	D	L	D1	D2	D3	D4	H	H1	H2	H3	M	D5	D6	D7	D8	T	T1	T2	Clamping force N	Shearing force kN	Pullout force F kN	Temperature resistance
K1558.1516	stainless steel	pin stainless steel	5	15,5	14	25	25	21	30,5	20	5,5	M2x3	14	26	4,4	2,4	66-10	2,5		60	1,8	1,2	≤200 °C	
K1558.1817	stainless steel	pin stainless steel	8	17	18	34	34	28	38	10	26,5	5,5	M3x4	18	35	6,5	3,4	66-14	2,5		90	3,2	0,4	≤200 °C

