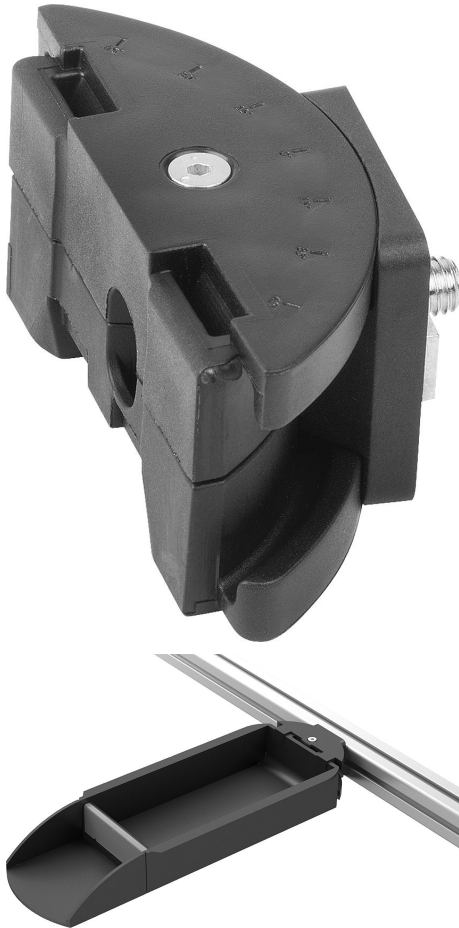


Swivel adapter, plastic, for profile slots

Item description/product images



Description

Material:

Adapter fibreglass reinforced PA.
Slot keys die-cast zinc.
Fastening material steel.

Version:

Steel electro zinc-plated.

Note:

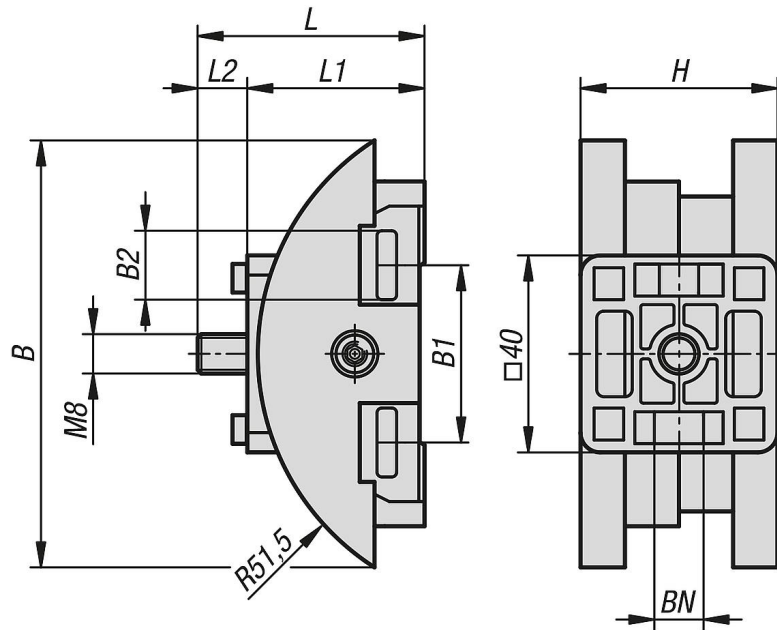
These adapters are used to fasten clip-in bins to profile slots (slot size 8 or 10).
The adapter swivels through 45° in both directions.

Supplied with:

1x top adapter housing
1x bottom adapter housing
1x adapter flange
1x M4 hex nut
1x M4x35 countersunk screw
4x slot keys, slot size 8/10
1x M8x16 cap screw

Swivel adapter, plastic, for profile slots

Drawings



Overview of items

Swivel adapter, plastic, for profile slots

Order No.	B	B1	B2	H	L	L1	L2	BN=Slot width
K1630.510	88	51	14,2	40	46,1	36	10,1	8/10