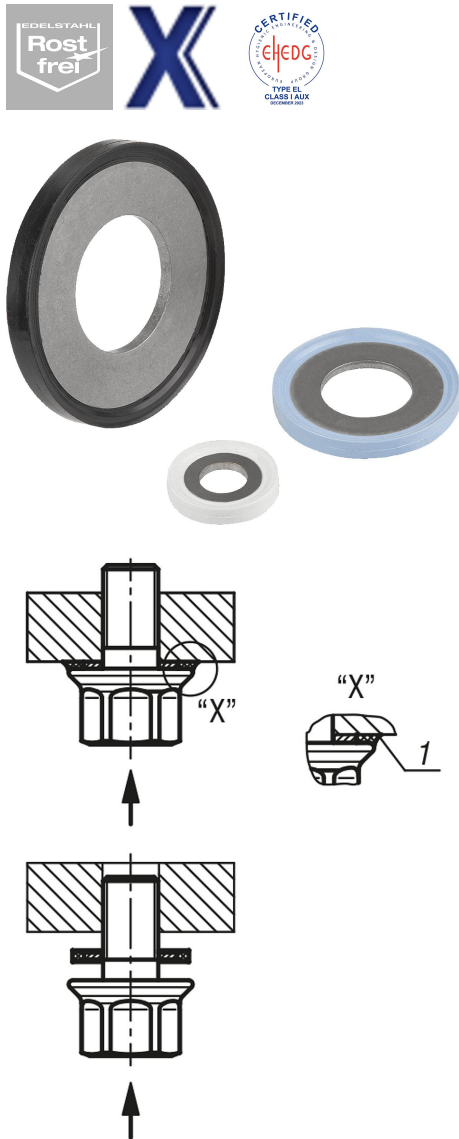


# Hygienic USIT® seal and shim washers

## Item description/product images



## Description

### Product description:

With its highly reliable sealing and design that is compliant with hygiene requirements, the Hygienic USIT® seal and shim washer is setting new standards for cleanliness in the process industry. Many manufacturers of machinery and systems for the food and pharmaceutical industries often use standard shim washers or O-rings for screw connections in or on the product chamber. These are not EHEDG-compliant, however, as contamination and biofilms in the form of bacteria colonies and corrosion can form under the screw head, preventing the design from achieving maximum hygiene standards.

The metallic shim washer with a fixed sealing ring made from 70 EPDM 295 (black) or 70 EPDM 253815 (white) provides a secure, cavity-free seal. The Hygienic USIT® seal and shim washer, made from the fluorinated premium compound Fluoroprene® XP 45, is suitable for applications involving particularly aggressive CIP/SIP cleaning temperatures, high steam sterilisation temperatures and process media containing grease. This material has an even larger operating temperature range and is resistant to polar and non-polar media as well as flavouring substances. Approvals such as FDA, EU1935/2004 and USP Class VI (121°C), plus EHEDG certification, confirm that the Hygienic USIT® washer represents the ideal choice for hygienically demanding applications in the food, beverage and pharmaceutical industries.

### Material:

Washer:

Stainless steel 1.4404.

Sealing ring:

70 EPDM 295 (black)

70 EPDM 253815 (white)

75 Fluoroprene® XP 45 (blue)

### Note:

The EHEDG certificate is only valid when a specifically matched hexagon head bolt K1492 or cap nut K1493 is used.

### Attention:

The function of the Hygienic USIT® screw connection system has been tested in combination with stainless steel materials and standard cleaning materials. The user must check that it is suitable for the application in question.

### Accessory:

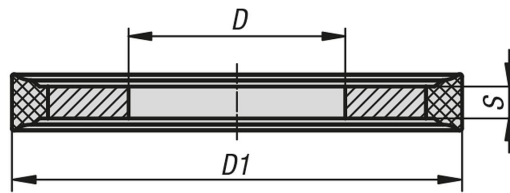
The Hygienic USIT® seal and shim washers can be used with all other products of the Hygienic USIT® range.

### Drawing reference:

1) Cavity free sealing

## Hygienic USIT® seal and shim washers

### Drawings



### Overview of items

#### Hygienic USIT® seal and shim washers

Order No.	Component material	Component colour	D	D1	S	Suitable for hexagon screws	Suitable cap nuts
K1491.041	70 EPDM 295	black	4,1	9,7	1	M4	M4
K1491.051	70 EPDM 295	black	5,1	10,7	1	M5	M5
K1491.061	70 EPDM 295	black	6,1	13,1	1	M6	M6
K1491.081	70 EPDM 295	black	8,1	16,9	1	M8	M8
K1491.101	70 EPDM 295	black	10,1	21,2	1,5	M10	M10
K1491.121	70 EPDM 295	black	12,1	25,5	1,5	M12	M12
K1491.161	70 EPDM 295	black	16,1	33,9	1,5	M16	M16
K1491.042	70 EPDM 253815	white	4,1	9,7	1	M4	M4
K1491.052	70 EPDM 253815	white	5,1	10,7	1	M5	M5
K1491.062	70 EPDM 253815	white	6,1	13,1	1	M6	M6
K1491.082	70 EPDM 253815	white	8,1	16,9	1	M8	M8
K1491.102	70 EPDM 253815	white	10,1	21,2	1,5	M10	M10
K1491.122	70 EPDM 253815	white	12,1	25,5	1,5	M12	M12
K1491.162	70 EPDM 253815	white	16,1	33,9	1,5	M16	M16
K1491.044	fluoroprene XP 45	blue	4,1	9,7	1	M4	M4
K1491.054	fluoroprene XP 45	blue	5,1	10,7	1	M5	M5
K1491.064	fluoroprene XP 45	blue	6,1	13,1	1	M6	M6
K1491.084	fluoroprene XP 45	blue	8,1	16,9	1	M8	M8
K1491.104	fluoroprene XP 45	blue	10,1	21,2	1,5	M10	M10
K1491.124	fluoroprene XP 45	blue	12,1	25,5	1,5	M12	M12
K1491.164	fluoroprene XP 45	blue	16,1	33,9	1,5	M16	M16