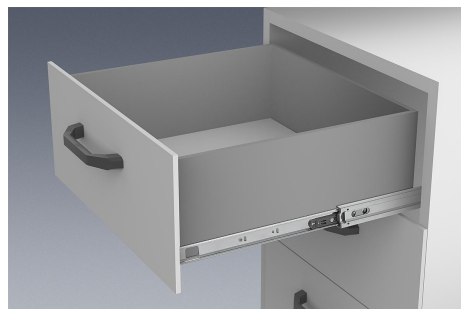


# Telescopic slides, steel for surface mounting, over-extension, load capacity up to 60 kg

Item description/product images



## Description

### Material:

Slides steel.  
Ball cages steel and plastic.  
Balls C-steel.

### Version:

Slides electro zinc-plated and trivalent blue passivated.  
Balls hardened.

### Note for ordering:

Supplied in pairs

### Note:

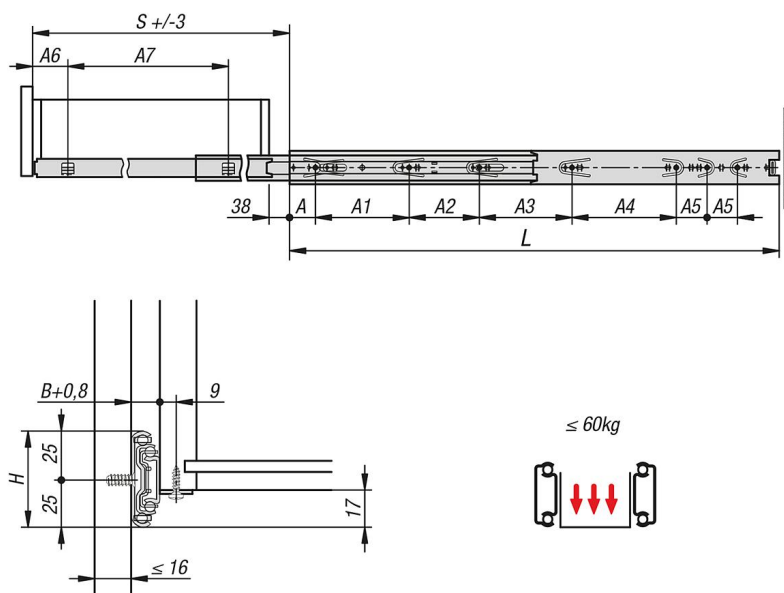
On telescopic slides with over-extension, the travel is greater than the installed length. Interlocking in closed position. When the release lever is actuated, the drawer can be taken out easily and separated from the guide.

The dynamic load capacity of the telescopic slides indicates the maximum load rating of a vertically mounted slide pair when the entire extension length is used. The specified load capacities refer to the maximum value for 20,000 cycles.

### Note:

The load capacity of all telescopic slides is tested to DIN EN 15338 Level 1.

## Drawings



## Overview of items

### Steel telescopic slides for surface mounting, over-extension, load capacity up to 60 kg

Order No.	A	A1	A2	A3	A4	A5	A6	A7	B	H	L	Travel S	Loading per pair kg
K1579.0350	35	128	96	-	-	-	35	283	12,7	50	350	388	60

## Telescopic slides, steel for surface mounting, over-extension, load capacity up to 60 kg

### Overview of items

Order No.	A	A1	A2	A3	A4	A5	A6	A7	B	H	L	Travel S	Loading per pair kg
<b>K1579.0400</b>	35	128	96	96	-	-	35	333	12,7	50	400	438	60
<b>K1579.0450</b>	35	128	96	128	-	-	35	383	12,7	50	450	488	60
<b>K1579.0500</b>	35	128	96	128	64	-	35	433	12,7	50	500	538	60
<b>K1579.0550</b>	35	128	96	128	64	32	35	483	12,7	50	550	588	60
<b>K1579.0600</b>	35	128	96	128	96	32	35	533	12,7	50	600	638	60