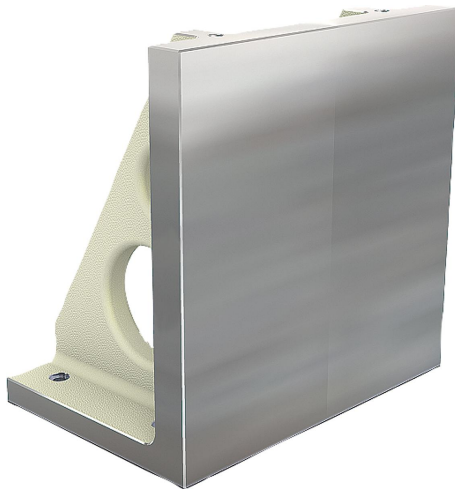


Angle plates, grey cast iron, wide with pre-machined clamping faces

Item description/product images



Description

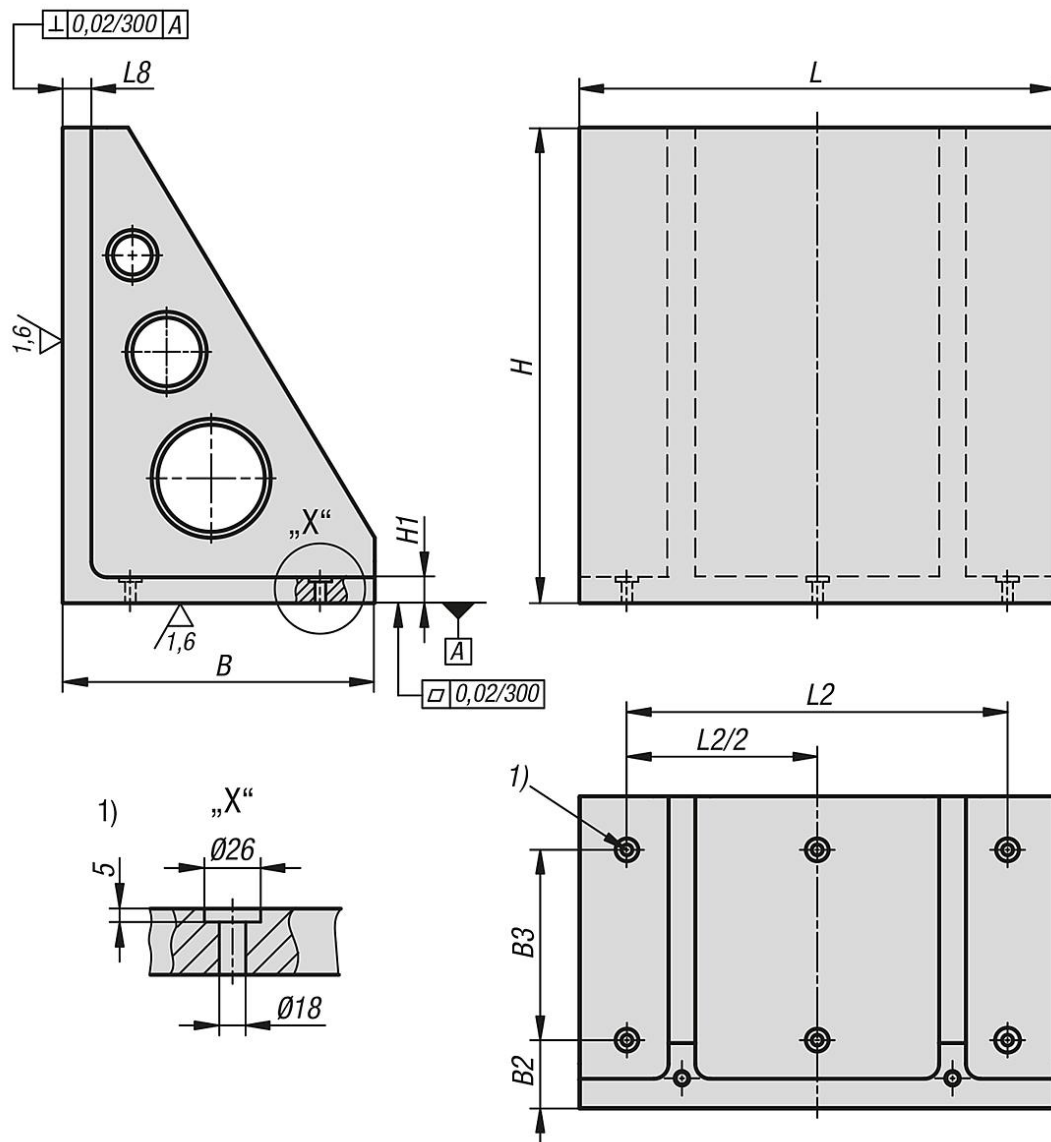
Material:
GJL 300.

Version:
Support and mounting surfaces precision machined

Note:
Angle plates are used for the vertical positioning and mounting of workpieces and fixtures. Angle plates with pre-machined clamping faces provide a quick and economic method of producing a base with specific grid or individual holes. Ring bolts for hoisting are supplied.

Drawing reference:
1) hole for DIN 912 cap screw

Drawings



Angle plates, grey cast iron, wide with pre-machined clamping faces**Overview of items**

Angle plates, grey cast iron, wide with pre-machined clamping faces

Order No.	L	B	H	L2	B2	B3	H1	L8
K1531.100302230	300	220	300	250	90	100	30	40
K1531.100402840	400	280	400	320	90	160	30	40
K1531.100503450	500	340	500	400	90	200	35	50
K1531.100634363	630	435	630	500	100	250	40	50
K1531.100805280	800	525	800	640	115	320	45	50