

Slam latches

Item description/product images



Description

Material:

Die cast aluminium.
End caps plastic.

Version:

Black powder-coated.
End caps black.

Note:

For the simple and safe locking of doors and hatches. Installed from the front without mechanical processing using M6 cylinder-head or cheese-head screws. Secured to prevent removal when locked.

The key-operated version is supplied with 2 keys. The key can be removed in both positions (open and closed). The locks are keyed alike, i.e. they can all be opened using the same key (euro key 5333).

The double-lug version is supplied with a double lug key.

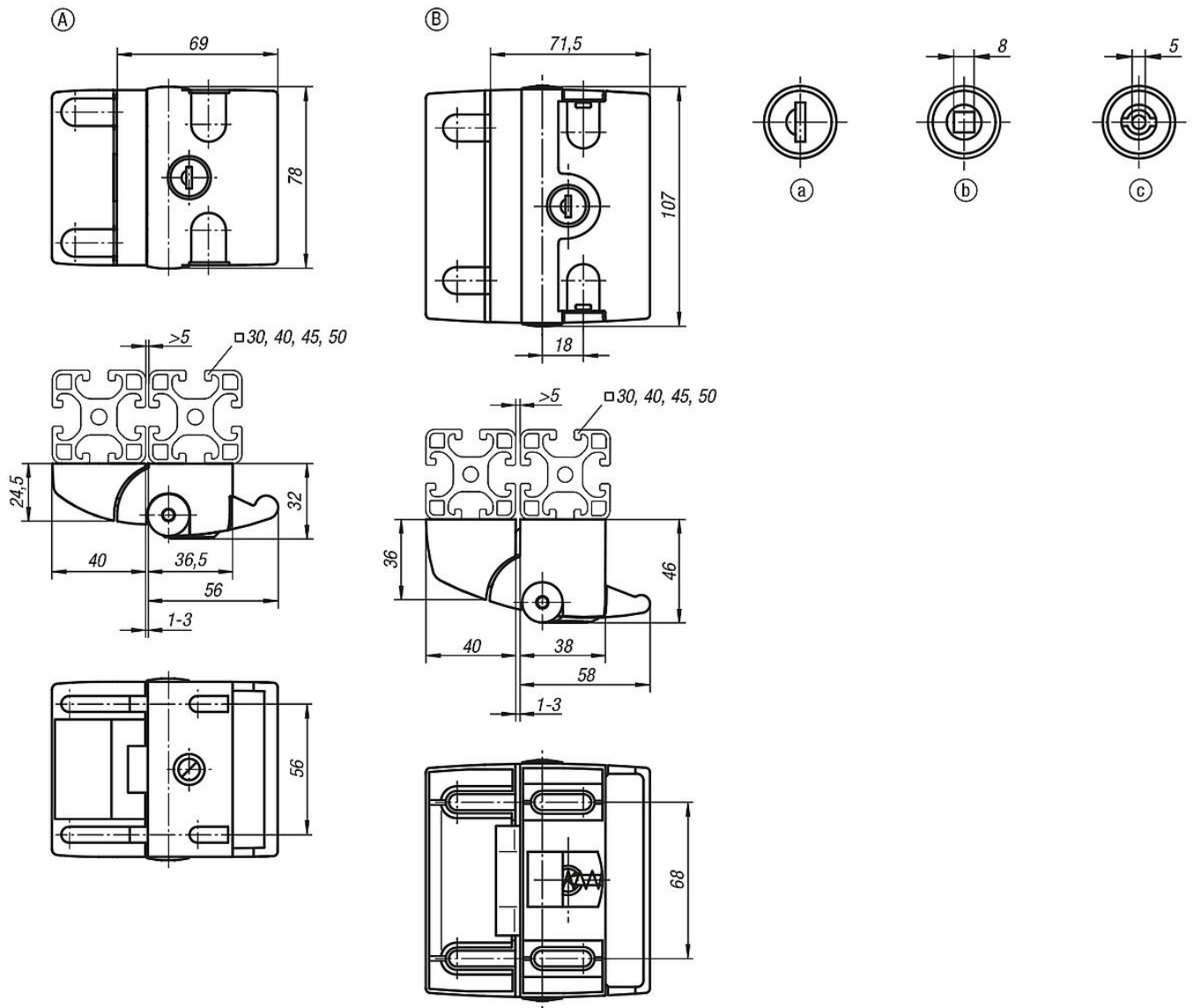
Drawing reference:

Actuation:

- a) single-key system
- b) square 8 mm
- c) double lug 5 mm

Slam latches

Drawings



Overview of items

Slam latches

Order No.	Main colour	Form	Slot width	Actuation
K1496.100561	black	A	8/10	not lockable
K1496.170561	black	A	8/10	key
K1496.118561	black	A	8/10	square 8 mm
K1496.145561	black	A	8/10	double lug 5 mm
K1496.200681	black	B	8/10	not lockable
K1496.270681	black	B	8/10	key