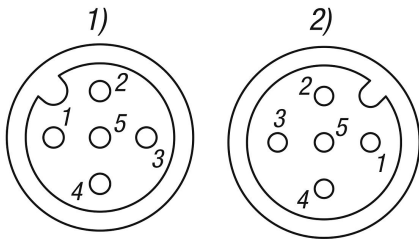


## Connectors with screw fitting, Form D

### Item description/product images



### Description

#### Material:

TPU housing.  
PUR cable sheath.  
Brass knurled nut.  
Bronze contacts.

#### Version:

Tin-plated knurled nut.  
Gold-plated contacts.  
Number of pins: 5-pin  
A-encoded.  
screened.

#### Note:

Connectors with screw fitting. Connector moulded to cable.  
Cable, PVC-, silicon- and halogen-free.  
Drag-chain suitable.  
Accessory for toggle clamp with force sensor K1463.

#### Technical data:

Cross-section: 5 x 0.34 mm<sup>2</sup>  
Voltage: U max. 60 V  
Electric current: I max. 4 A  
Insulation resistance: > 1 GΩ  
Number of plug cycles: max. 100  
Degree of contamination: 3  
Degree of protection: IP67

#### Application:

Connectors with screw fitting and cable serve as a connection cable for sensors and actuators.  
The cable screening protects from outside interference and ensures error-free signal transmission.

#### Temperature range:

Fixed: -50 °C to +80°C  
Moving: -25 °C to +80°C  
Drag chain: -25 °C to +80°C

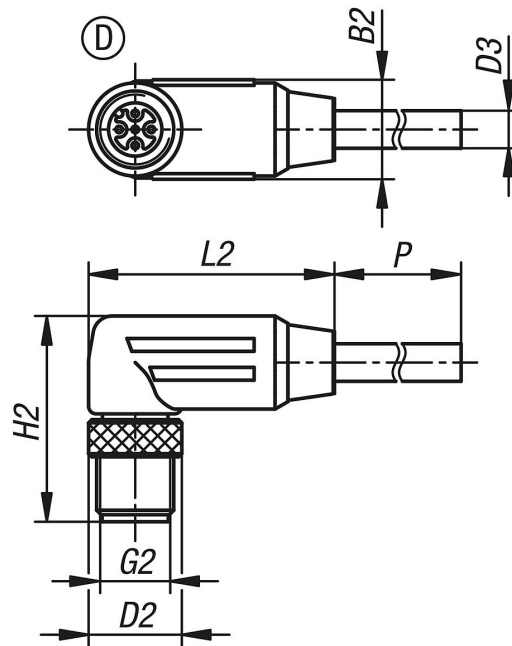
#### Drawing reference:

2) Plug

1 = brown (BN)  
2 = white (WH)  
3 = blue (BU)  
4 = black (BK)  
5 = grey (GY)

## Connectors with screw fitting, Form D

## Drawings



## Overview of items

Order No.	Form	B2	D2	D3	G2	H2	L2	P	No. of conductors x conductor cross-section
K1482.1245X5000	D	15,5	14,5	6	M12X1	32,05	38,25	5000	5X0,34 mm <sup>2</sup>