

## Spring plungers with hexagon socket and flattened POM thrust pin, steel

### Item description/product images



### Description

#### Material:

Sleeve steel grade 5.8.  
Thrust pin POM.  
Spring grade D steel wire.

#### Version:

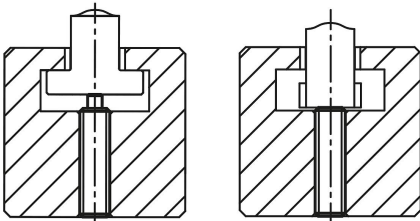
Black oxidised.

#### Note:

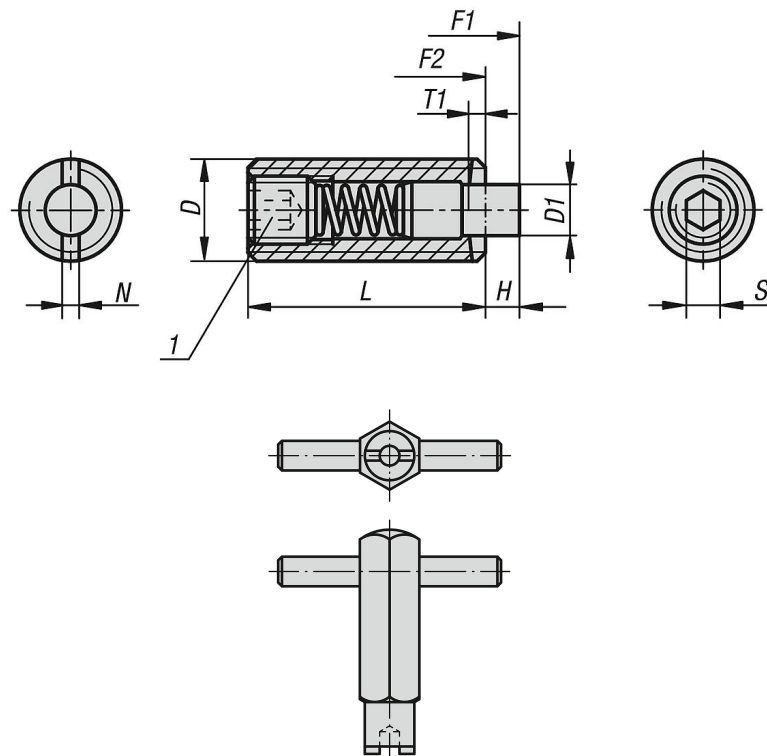
These spring plungers are chiefly used as ejectors and spring stops in machine construction.  
The thrust pin is actuated in the axial direction.

#### Drawing reference:

1) grub screw glued in



### Drawings



### Overview of items

#### Spring plungers with hexagon socket and flattened thrust pin, standard spring force

## Spring plungers with hexagon socket and flattened POM thrust pin, steel

### Overview of items

| Order No.       | D   | D1  | H   | L  | T1  | N   | S   | Spring force<br>initial pressure<br>F1 approx. N | Spring force<br>final pressure<br>F2 approx. N | Order No.<br>Assembly key |
|-----------------|-----|-----|-----|----|-----|-----|-----|--|--|---------------------------|
| <b>K1372.05</b> | M5  | 2,4 | 2,3 | 18 | 0,8 | 0,8 | 1,5 | 6  | 20   | K0317.905                 |
| <b>K1372.06</b> | M6  | 2,7 | 2,5 | 20 | 1   | 1   | 2   | 7  | 20   | K0317.906                 |
| <b>K1372.08</b> | M8  | 3,5 | 3   | 22 | 1,4 | 1,2 | 2,5 | 9  | 35   | K0317.908                 |
| <b>K1372.10</b> | M10 | 4   | 3   | 22 | 1,4 | 1,6 | 3   | 9  | 35   | K0317.910                 |
| <b>K1372.12</b> | M12 | 6   | 4   | 28 | 2   | 2   | 4   | 12   | 55   | K0317.912                 |
| <b>K1372.16</b> | M16 | 7,5 | 5   | 32 | 2,5 | 2,5 | 5   | 45   | 100  | K0317.916                 |