

Ball lock pins with plastic L-grip and head-end lock

Item description/product images



Description

Material:

Grip thermoplastic.
 Push button 1.4305 stainless steel.
 Pin 1.4305 stainless steel.
 Balls 1.4125 stainless steel.
 Spring 1.4310 stainless steel wire.

Version:

Grip black grey.
 Stainless steel bright.

Note:

Ball lock pins are used for easy fastening or joining of components. The two balls are disengaged by pressing the push button and the pin can be slipped into holes in the workpieces. When the push button is released, the balls lock the connection securely.

Shear force double shear (F) = S · τ aB max.

The values given for the shear force are the theoretical breaking load. These are non-binding reference values without consideration of safety factors and exclude any liability. The values given are for information purposes only and do not constitute a legally binding assurance of properties.

The load values have been calculated in accordance with DIN 50141. Each user must determine individually whether the ball lock pin is suitable for the respective application.

Different materials in which the ball lock pins are used, weather conditions and wear can influence the determined values.

Advantages:

Wide connections possible.
 The pin length does not need to be coordinated with the component width.

On request:

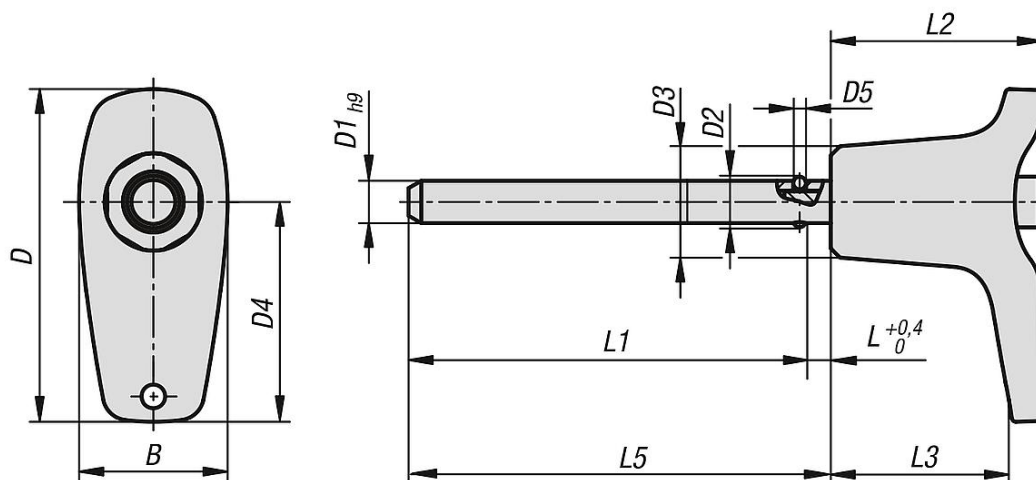
Other pin lengths.

Accessory:

Adapter bushes for ball lock pins with head lock K1416.
 Safety spiral cable K0367
 Retaining cable with eyelet K0367
 Key ring K0367

Ball lock pins with plastic L-grip and head-end lock

Drawings



Overview of items

Ball lock pins stainless steel with L-grip, with head-end lock

Order No.	B	D	D1	D2	D3	D4	D5	L	L1	L2	L3	L5	Receiving hole H11	Shearing force double shear max.kN
K1415.102605050	17,6	39,3	5	5,5	13,2	26	1,5	3	47	25	19,2	50	5	10
K1415.102605100	17,6	39,3	5	5,5	13,2	26	1,5	3	97	25	19,2	100	5	10
K1415.102605150	17,6	39,3	5	5,5	13,2	26	1,5	3	147	25	19,2	150	5	10
K1415.102606050	17,6	39,3	6	6,85	13,2	26	2	3	47	25	19,2	50	6	14
K1415.102606100	17,6	39,3	6	6,85	13,2	26	2	3	97	25	19,2	100	6	14
K1415.102606150	17,6	39,3	6	6,85	13,2	26	2	3	147	25	19,2	150	6	14
K1415.103508100	23	52,2	8	9,5	17,3	35,4	3	3,5	96,5	33	24,2	100	8	26
K1415.103508150	23	52,2	8	9,5	17,3	35,4	3	3,5	146,5	33	24,2	150	8	26
K1415.103508200	23	52,2	8	9,5	17,3	35,4	3	3,5	196,5	33	24,2	200	8	26
K1415.103510100	23	52,2	10	12	17,3	35,4	4	3,5	96,5	33	24,2	100	10	40
K1415.103510150	23	52,2	10	12	17,3	35,4	4	3,5	146,5	33	24,2	150	10	40
K1415.103510200	23	52,2	10	12	17,3	35,4	4	3,5	196,5	33	24,2	200	10	40
K1415.104712150	33	70,2	12	14,5	26,3	47	4,5	3,5	146,5	39,5	28,4	150	12	57
K1415.104712200	33	70,2	12	14,5	26,3	47	4,5	3,5	196,5	39,5	28,4	200	12	57
K1415.104712250	33	70,2	12	14,5	26,3	47	4,5	3,5	246,5	39,5	28,4	250	12	57
K1415.104716150	33	70,2	16	19	26,3	47	6,5	4	146	39,5	28,4	150	16	100
K1415.104716200	33	70,2	16	19	26,3	47	6,5	4	196	39,5	28,4	200	16	100
K1415.104716250	33	70,2	16	19	26,3	47	6,5	4	246	39,5	28,4	250	16	100