

Ball lock pins with plastic grip and head-end lock

Item description/product images



Description

Material:

Grip thermoplastic.
 Push button 1.4305 stainless steel.
 Pin 1.4305 stainless steel.
 Balls 1.4125 stainless steel.
 Spring 1.4310 stainless steel wire.

Version:

Grip black grey.
 Stainless steel bright.

Note:

Ball lock pins are used for easy fastening or joining of components. The two balls are disengaged by pressing the push button and the pin can be slipped into holes in the workpieces. When the push button is released, the balls lock the connection securely.

Shear force double shear (F) = S · τ aB max.

The values given for the shear force are the theoretical breaking load. These are non-binding reference values without consideration of safety factors and exclude any liability. The values given are for information purposes only and do not constitute a legally binding assurance of properties.

The load values have been calculated in accordance with DIN 50141. Each user must determine individually whether the ball lock pin is suitable for the respective application.

Different materials in which the ball lock pins are used, weather conditions and wear can influence the determined values.

Advantages:

Wide connections possible.
 The pin length does not need to be coordinated with the component width.

On request:

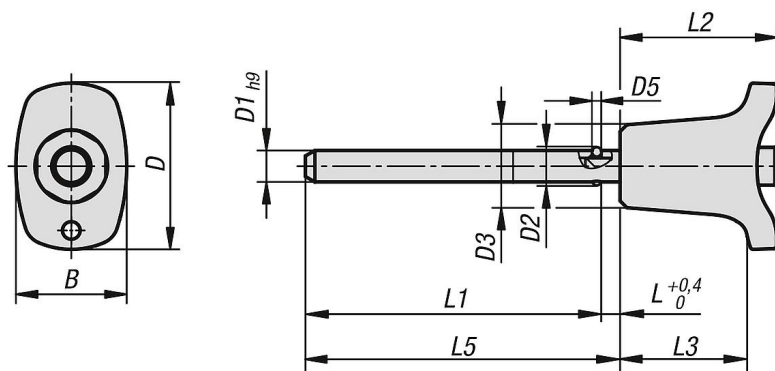
Other pin lengths.

Accessory:

Adapter bushes for ball lock pins with head lock K1416.
 Safety spiral cable K0367
 Retaining cable with eyelet K0367
 Key ring K0367

Ball lock pins with plastic grip and head-end lock

Drawings



Overview of items

Ball lock pins stainless steel, with head-end lock

Order No.	B	D	D1	D2	D3	D5	L	L1	L2	L3	L5	Receiving hole H11	Shearing force double shear max.kN
K1415.002605050	17,6	26,4	5	5,5	13,2	1,5	3	47	25	20,2	50	5	10
K1415.002605100	17,6	26,4	5	5,5	13,2	1,5	3	97	25	20,2	100	5	10
K1415.002605150	17,6	26,4	5	5,5	13,2	1,5	3	147	25	20,2	150	5	10
K1415.002606050	17,6	26,4	6	6,85	13,2	2	3	47	25	20,2	50	6	14
K1415.002606100	17,6	26,4	6	6,85	13,2	2	3	97	25	20,2	100	6	14
K1415.002606150	17,6	26,4	6	6,85	13,2	2	3	147	25	20,2	150	6	14
K1415.003308100	23	33,2	8	9,5	17,3	3	3,5	96,5	33	26,1	100	8	26
K1415.003308150	23	33,2	8	9,5	17,3	3	3,5	146,5	33	26,1	150	8	26
K1415.003308200	23	33,2	8	9,5	17,3	3	3,5	196,5	33	26,1	200	8	26
K1415.003310100	23	33,2	10	12	17,3	4	3,5	96,5	33	26,1	100	10	40
K1415.003310150	23	33,2	10	12	17,3	4	3,5	146,5	33	26,1	150	10	40
K1415.003310200	23	33,2	10	12	17,3	4	3,5	196,5	33	26,1	200	10	40
K1415.004612150	33	45,9	12	14,5	26,3	4,5	3,5	146,5	39,5	31,3	150	12	57
K1415.004612200	33	45,9	12	14,5	26,3	4,5	3,5	196,5	39,5	31,3	200	12	57
K1415.004612250	33	45,9	12	14,5	26,3	4,5	3,5	246,5	39,5	31,3	250	12	57
K1415.004616150	33	45,9	16	19	26,3	6,5	4	146	39,5	31,3	150	16	100
K1415.004616200	33	45,9	16	19	26,3	6,5	4	196	39,5	31,3	200	16	100
K1415.004616250	33	45,9	16	19	26,3	6,5	4	246	39,5	31,3	250	16	100