

Rod ends igubal® with plain bearing internal thread, similar to DIN ISO 12240-4

Item description/product images



Description

Material:

Housing igumid® G.

Bearing seat iglidur® W300.

Version:

Black.

Note:

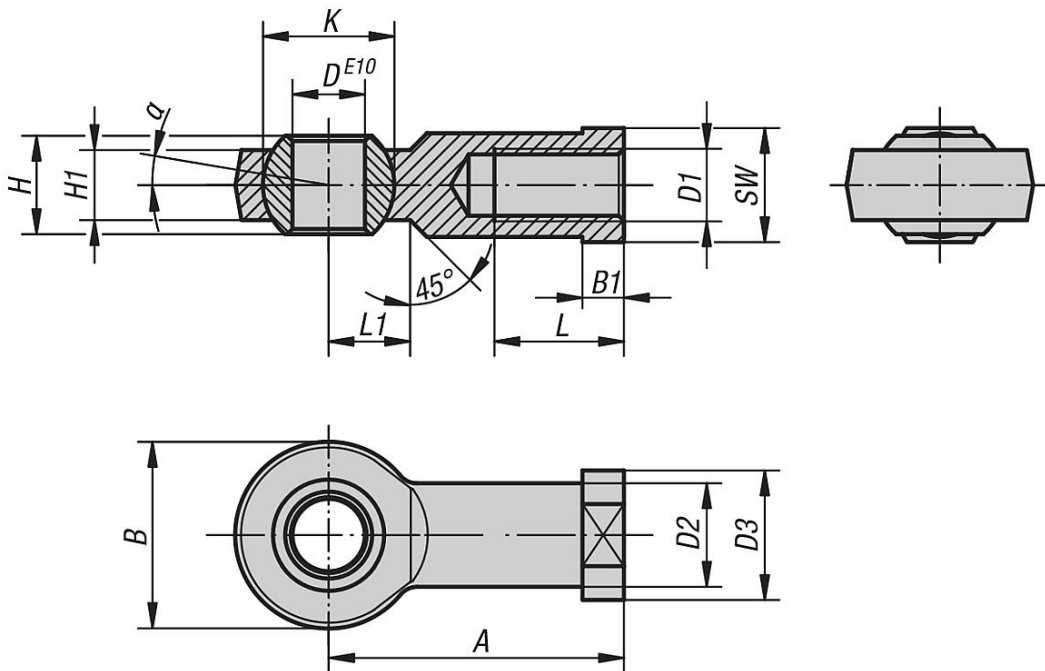
The rod end has very high rigidity under alternating stresses, it is insensitive to dirt, dust and lint, and is both corrosion and chemical resistant. It is ideal for rotary, oscillating and linear movements.

The connection dimensions comply DIN ISO 12240 series K.

Tolerances:

The bore of the inner ring has an E10 tolerance. The shaft tolerance should be between h6 and h9.

Drawings



Overview of items

Rod ends igubal® with plain bearing internal thread, similar to DIN ISO 12240-4

Order No.	Version	2	D	D1	D2	D3	A	B	B1	H	H1	K	L	L1	SW	α	Max. static tensile stress N short-term	Max. static tensile stress N long-term	Max. transverse stress N short-term	Max. transverse stress N long-term
K1466.104	RH thread	5	M4	9	12	27	18	4	8	6	11,1	10	9	9	15°	1000	500	250	125	
K1466.105	RH thread	5	M5	9	12	27	18	4	8	6	11,1	10	9	9	15°	1000	500	250	125	
K1466.106	RH thread	6	M6	10	13	30	20	5	9	7	12,7	12	10	11	14,5°	1400	700	400	200	
K1466.108	RH thread	8	M8	13	16	36	24	5	12	9	15,8	16	12	14	12,5°	2100	1050	700	350	

Rod ends igubal® with plain bearing internal thread, similar to DIN ISO 12240-4

Overview of items

Order No.	Version 2	D	D1	D2	D3	A	B	B1	H	H1	K	L	L1	SW	α	Max. static tensile stress N short-term	Max. static tensile stress N long-term	Max. transverse stress N short-term	Max. transverse stress N long-term
K1466.110	RH thread	10	M10	15	19	43	30	6,5	14	10,5	19	20	14	17	12,5°	3100	1550	800	400
K1466.110125	RH thread	10	M10x1,25	15	19	43	30	6,5	14	10,5	19	20	14	17	12,5°	3100	1550	800	400
K1466.112	RH thread	12	M12	18	22	50	34	6,5	16	12	22,2	22	16	17	12,5°	3600	1800	900	450
K1466.112125	RH thread	12	M12x1,25	18	22	50	34	6,5	16	12	22,2	22	16	19	12,5°	3600	1800	900	450
K1466.114	RH thread	14	M14	20	25	57	38	8	19	13,5	25,25	25	18	22	11,5°	4000	2000	1000	500
K1466.116	RH thread	16	M16	22	27	64	42	8	21	15	28,3	28	21	22	11,5°	4200	2100	1300	650
K1466.116150	RH thread	16	M16x1,5	22	27	64	42	8	21	15	28,3	28	21	22	11,5°	4200	2100	1300	650
K1466.118150	RH thread	18	M18x1,5	25	31	71	46	10	23	16,5	31,35	32	23	27	11,5°	4600	2300	1600	800
K1466.120	RH thread	20	M20	28	34	77	50	10	25	18	34,9	33	25	30	11,5°	5400	2700	2100	1050
K1466.120150	RH thread	20	M20x1,5	28	34	77	50	10	25	18	34,9	33	25	30	11,5°	5400	2700	2100	1050
K1466.1041	LH thread	5	M4	9	12	27	18	4	8	6	11,1	10	9	9	15°	1000	500	250	125
K1466.1051	LH thread	5	M5	9	12	27	18	4	8	6	11,1	10	9	9	15°	1000	500	250	125
K1466.1061	LH thread	6	M6	10	13	30	20	5	9	7	12,7	12	10	11	14,5°	1400	700	400	200
K1466.1081	LH thread	8	M8	13	16	36	24	5	12	9	15,8	16	12	14	12,5°	2100	1050	700	350
K1466.1101	LH thread	10	M10	15	19	43	30	6,5	14	10,5	19	20	14	17	12,5°	3100	1550	800	400
K1466.1101251	LH thread	10	M10x1,25	15	19	43	30	6,5	14	10,5	19	20	14	17	12,5°	3100	1550	800	400
K1466.1121	LH thread	12	M12	18	22	50	34	6,5	16	12	22,2	22	16	17	12,5°	3600	1800	900	450
K1466.1121251	LH thread	12	M12x1,25	18	22	50	34	6,5	16	12	22,2	22	16	19	12,5°	3600	1800	900	450
K1466.1141	LH thread	14	M14	20	25	57	38	8	19	13,5	25,25	25	18	22	11,5°	4000	2000	1000	500
K1466.1161	LH thread	16	M16	22	27	64	42	8	21	15	28,3	28	21	22	11,5°	4200	2100	1300	650
K1466.1161501	LH thread	16	M16x1,5	22	27	64	42	8	21	15	28,3	28	21	22	11,5°	4200	2100	1300	650
K1466.1181501	LH thread	18	M18x1,5	25	31	71	46	10	23	16,5	31,35	32	23	27	11,5°	4600	2300	1600	800
K1466.1201	LH thread	20	M20	28	34	77	50	10	25	18	34,9	33	25	30	11,5°	5400	2700	2100	1050
K1466.1201501	LH thread	20	M20x1,5	28	34	77	50	10	25	18	34,9	33	25	30	11,5°	5400	2700	2100	1050