

## UNILOCK 5-axis reducer adapter system size 138 mm

### Item description/product images



### Description

**Material:**

Steel.

**Version:**

Main body oxidised.

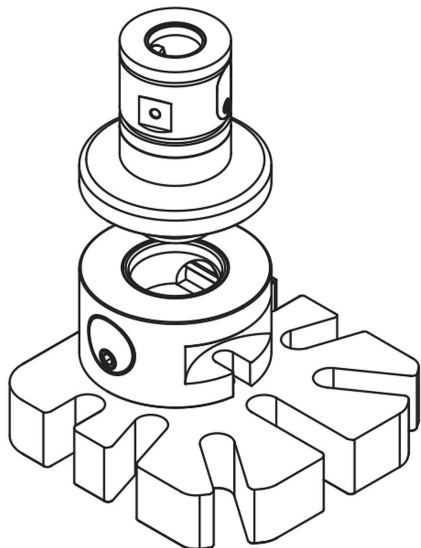
Contact faces case-hardened and ground.

**Note:**

The UNILOCK 5-axis reducer adapters are used to convert from size 80 to size 138. They therefore allow all size 80 elements to continue to be used.

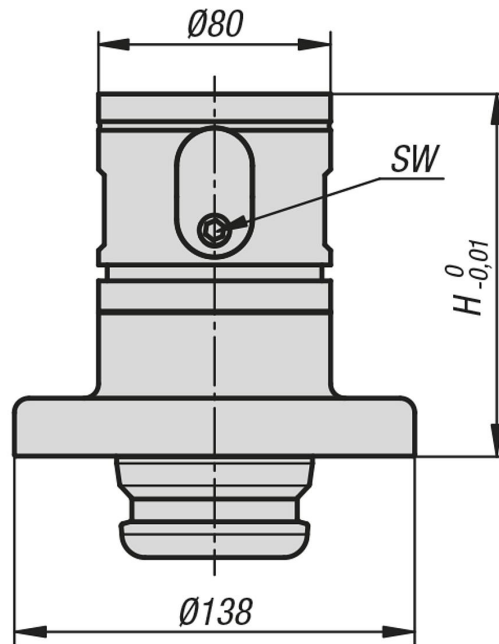
**On request:**

Other versions.



## UNILOCK 5-axis reducer adapter system size 138 mm

### Drawings



### Overview of items

#### UNILOCK 5-axis reducer adapter, system size 138 mm

Order No.	H	SW	Holding force F kN	Tightening torque max. Nm
K1423.1251	125	6	50	15