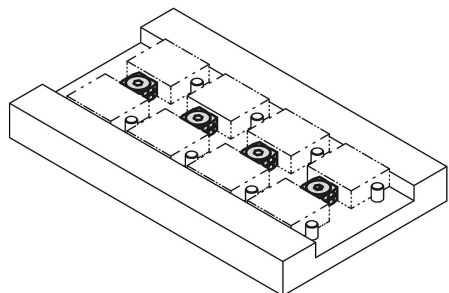


Wedge clamps

Item description/product images



Description

Material:
Carbon steel.

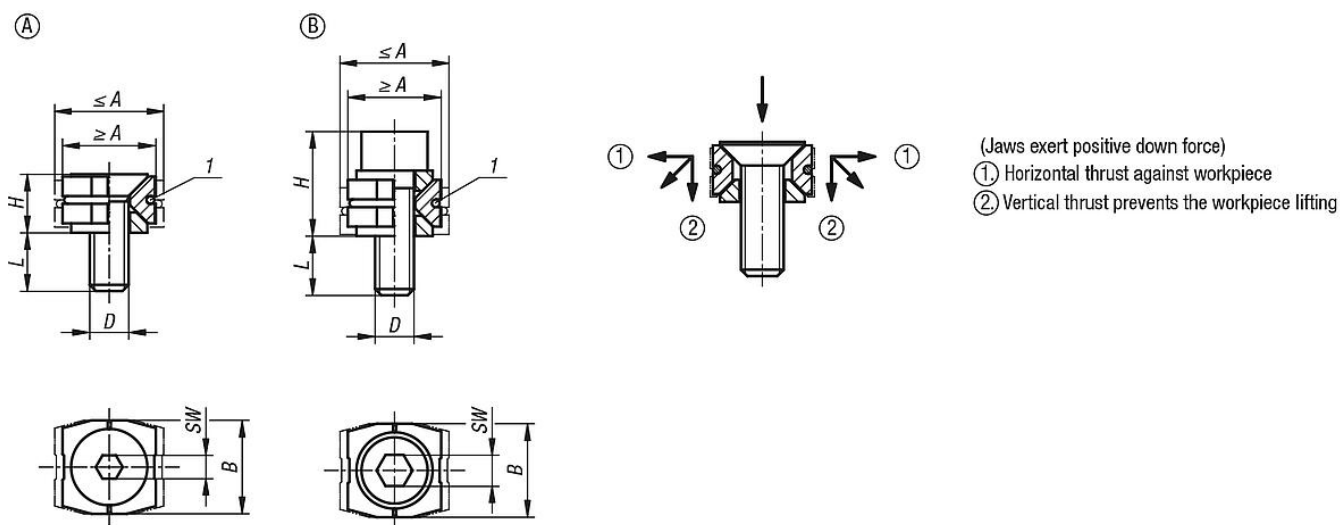
Version:
Jaw plate hardened (33–39 HRC) and black oxidised.

Note:
Due to the functioning principle, wedge clamps are suitable for clamping in series. The wedges generate higher clamping forces. The wedge clamps are available with cap screws or countersunk screws. Wedge clamps with pull-down effect.

Drawing reference:
Dimension L refers to $\leq A$.
Dimension H refers to $\geq A$.

1) O-ring

Drawings



Overview of items

Wedge clamps

Order No.	Form	Version 2	A		B	D	H	L	SW	Clamping force max. kN	Tightening torque max. Nm
			min.	max.							
K1167.11205	A	with csk. screw	12	14	12	M5X15	7,5	9,5	3	2	4,3
K1167.11506	A	with csk. screw	15	17	14,8	M6X16	8,7	9,3	4	3,5	7,3
K1167.11808	A	with csk. screw	18,5	21,5	18,4	M8X20	11,8	11,3	5	5	18
K1167.21205	B	with socket head screw	12	14	12	M5X16	13,4	9,6	4	3	5,4
K1167.21506	B	with socket head screw	15	17	14,8	M6X18	15,8	10,2	5	4,5	9,1
K1167.21808	B	with socket head screw	18,5	21,5	18,4	M8X25	21,2	14,9	6	9	22

