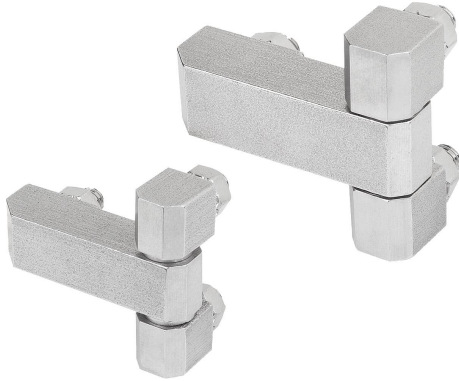


## Block hinges with fastening nuts

### Item description/product images



### Description

#### Material:

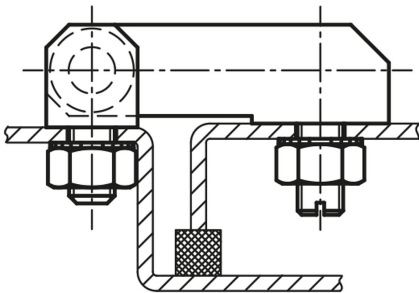
Hinge stainless steel 1.4305.  
Fastening material stainless steel 1.4305.

#### Version:

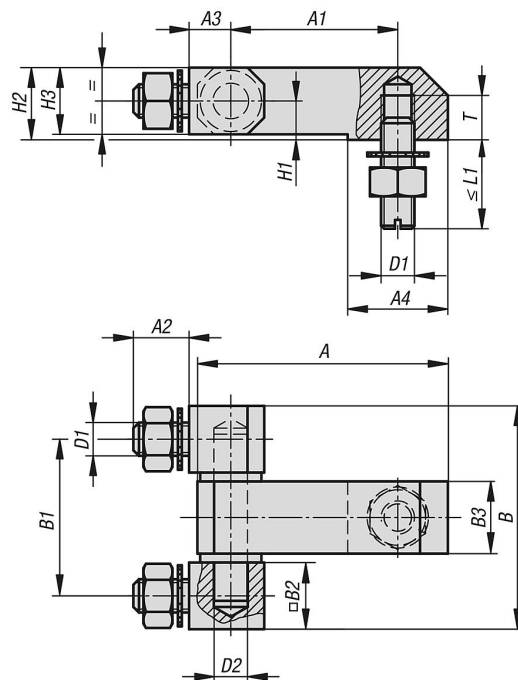
Polished.

#### Note:

Block hinge for flush constructions.  
Light and heavy types.



### Drawings



### Overview of items

## Block hinges with fastening nuts

### Overview of items

#### Block hinges with fastening nuts

Order No.	A	A1	A2	A3	A4	B	B1	B2	B3	D1	D2	H1	H2	H3	L1	T	Load capacity N
<b>K1338.10630028</b>	45	30	10	7,5	18	40,2	28,2	12	13	M6	6	7	13	12	16	8	2600
<b>K1338.10840035</b>	61	40	14	10	26	51	35	16	18	M8	8	10	18	16	20	10	4800