

## Ring nuts similar to DIN 582

### Item description/product images

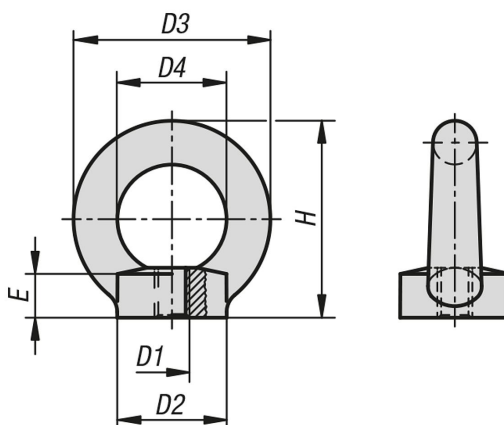


### Description

**Material:**  
Stainless steel 1.4401.

**Version:**  
Bright.

### Drawings



### Overview of items

#### Ring nuts similar to DIN 582

Order No.	D1	D2	D3	D4	E	H
K1334.08	M8	20	36	20	6	36
K1334.10	M10	25	45	25	8	45
K1334.12	M12	30	54	30	10	53
K1334.16	M16	35	63	35	12	62
K1334.20	M20	40	72	40	14	71